

# PARTS LIST

[ UX-A70MD ]

\* All printed circuit boards and its assemblies are not available as service parts.

## Area suffix

UB ----- Hong Kong  
 UF ----- China  
 US ----- Singapore  
 UT ----- Taiwan  
 UJ ----- U.S.Military

## - Contents -

Exploded view of general assembly and parts list .....	3- 3
CD loading base assembly and parts list .....	3- 5
CD mechanism assembly and parts list .....	3- 7
MD mechanism assembly and parts list .....	3- 8
Electrical parts list .....	3-11
Packing materials and accessories parts list .....	3-22

< MEMO >



■ Parts list (General assembly)

Block No. M1MM

△	Item	Parts number	Parts name	Q'ty	Description	Area
	1	GV10043-009A	FRONT PANEL	1		
	2	GV40101-001A	STANDBY LENS	1		
	3	GV30106-003A	FRONT BUTTON	1		
	4	GV30107-003A	BUTTON ASSY	1		
	5	GV30109-002A	MD LID	1		
	6	GV40035-001A	SPECIAL SCREW	1		
	7	GV40108-003A	LID SPRING	1		
	8	QYSBSF2608Z	T.SCREW	1	FRONT PANEL	
	9	GV10048-002A	FRONT GROOVE	1		
	10	QYSBSF2608Z	T.SCREW	3	FOR FRONT BUTTON	
	11	QYSBSF2608Z	T.SCREW	6	FOR FRONT GROOV	
	12	QYSBSF2608Z	T.SCREW	4	RAIL BASE+F.PANEL	
	13	QYSBSF2608Z	T.SCREW	1	FOR DETEC SW.PWB	
	14	QYSBSF2608Z	T.SCREW	1	FOR CONNEC.PWB	
	15	GV20073-001A	FRONT CASE	1		
	16	GV40103-002A	RAIL	2		
	17	QYSBSF2610Z	T.SCREW	4	RAIL +RAIL BASE	
	18	GV40104-001A	LCD SHEET	1		
	19	GV20074-001A	LCD LENS	1		
	20	GV20075-002A	LCD LENS HOLDER	1		
	21	GV30112-001A	LED COVER	1		
	22	GV20076-001A	LCD COVER A	1		
	23	GV20078-003A	FRONT LENS	1		
	24	LV40744-001A	SOCKET BOLT	4		
	25	GV20087-002A	RAIL BASE ASSY	1		
	26	GV40145-001A	SPACER	1	STICK AT LCD LENS	
	27	GV10044-001A	BOTTOM CHASSIS	1		
	28	QYSBST4006Z	T.SCREW	4	TRANS +BTM.CHASSIS	
	29	-----	CD LOADING BASE ASSY	1		
	30	E406293-001	SPECIAL SCREW	1	FOR CD MECHA	
	31	QYSBST3006Z	T.SCREW	3	BOTTOM	
	32	-----	CD MECHA	1		
	33	E26756-222SS	CD CLAMPER BASE	1		
	34	E306835-221SS	CD CLAMPER	1		
	35	VYH7313-003	MAGNET	1		
	36	E306836-223SS	CD YOKE (JES)	1		
	37	QYSBSF3008Z	SCREW	2	LOADING ASSY	
	38	E102358-333	CD TRAY	1		
	39	QYSBSF3008Z	SCREW	1	FOR CD TRAY	
	40	GV10047-002A	INNER CHASSIS	1		
	41	QYSBST3006Z	T.SCREW	2	+ BOTTOM CHASSI	
	42	QYSDST3006Z	SCREW	1	TUNER PWB+ BTTM	
	43	QYSBSF3010N	TAP SCREW	1	TUNER (REAR SID	
	44	QYSBST3006Z	T.SCREW	1	AC PWB+ BTTM.CH	
	45	QYSBSF3008Z	SCREW	1	CHASSIS	
	46	GV30105-002A	BRACKET	1		
	47	GV30113-001A	HEAT SINK	1		
	48	QYSBSF3008Z	SCREW	3	BRACKET +H.SINK	

■ Parts list (General assembly)

Block No. M1MM

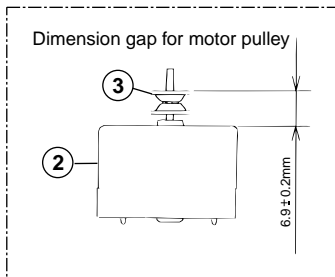
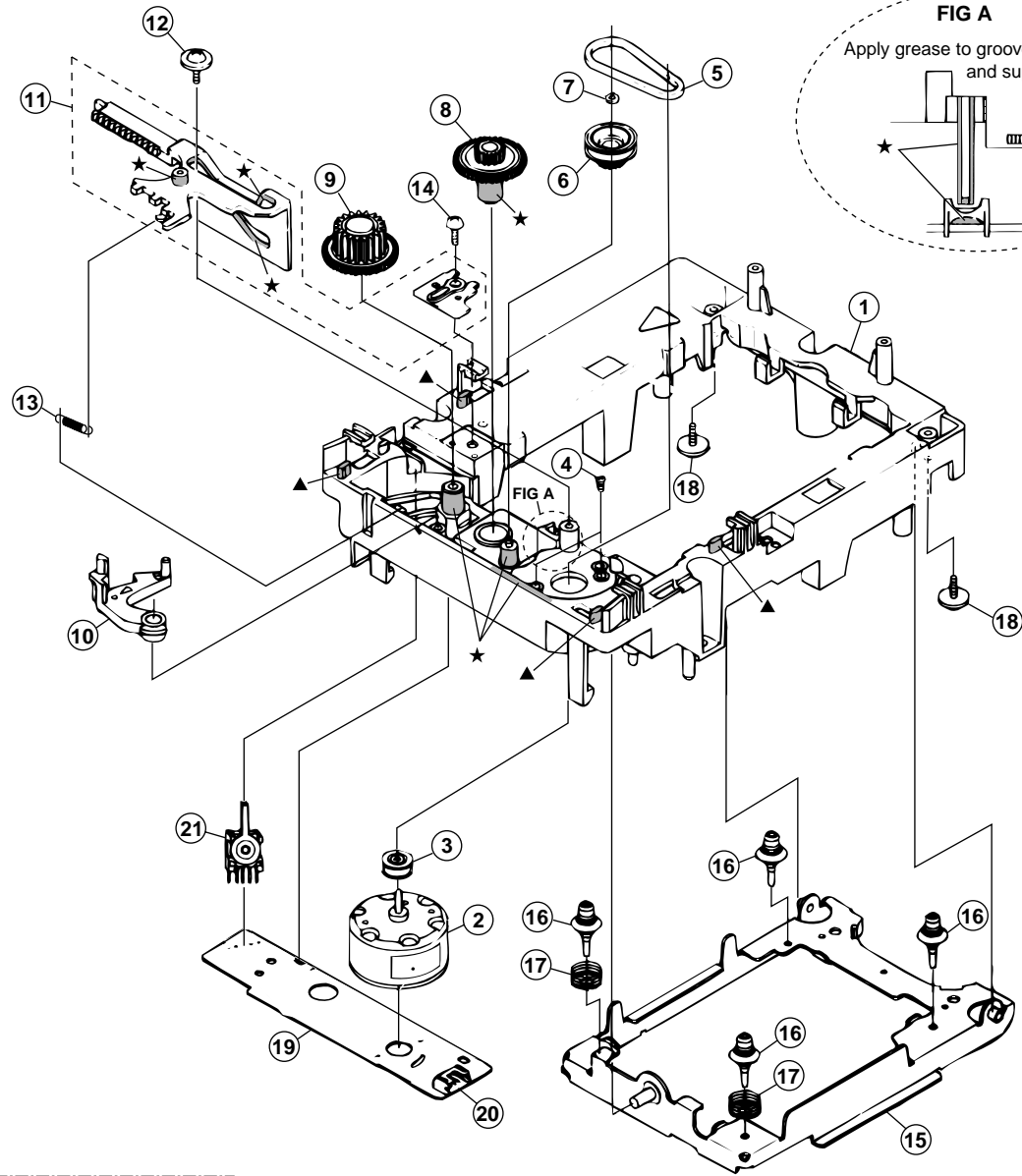
△	Item	Parts number	Parts name	Q'ty	Description	Area
	49	QYSBSF3008Z	SCREW	2	H.SINK + PWB BR	
	50	GV20079-001A	MD MECHA BASE	1		
	51	-----	MD MECHA	1		
	52	GV30114-001A	MD M HOLDER(L)	1		
	53	GV30115-001A	MD M HOLDER(R)	1		
	54	QYSBSF3012Z	SCREW	4	MD M.HLD+IN.CHA	
	55	QYSBST3008Z	T.SCREW	4	MD M.BASE+MD HLD	
	56	QYSBSF2608Z	T.SCREW	3	CD BRD.+L.BASE	
	57	QYSBST3006Z	T.SCREW	1	FOR MD MECHA	
	58	GV30125-001A	PROTECT SHEET	1		
	59	GV40133-001A	SPECIAL SCREW	2	MD HOLDER R/FAN	
	60	QAR0124-002	FAN	1		
	61	GV40146-002A	SHIELD	1		
	62	GV40123-005A	SPACER	1	FOR SHIELD	
	63	LV42063-001A	SUPPORT BRACKET	1		
	64	GV10056-001A	TOP COVER	1		
	65	QYSSST3006Z	SCREW	2	F.PANEL/BTTM CH	
	66	QYSSSF3008Z	SCREW	2	F.PANEL/T.COVER	
	67	GV40091-002A	FOOT	2	FRONT PANEL	
	68	GV40091-002A	FOOT	2	REAR COVER	
	70	GV10049-005A	SIDE PANEL(L)	1		
	71	GV10049-006A	SIDE PANEL(R)	1		
	72	GV10046-012A	REAR COVER	1		UB,US,UT,UJ
		GV10046-011A	REAR COVER	1		UF
	73	QYSBSF3010N	TAP SCREW	8	FOR REAR COVER	
	74	QYSSST3006Z	SCREW	2	REAR COVER	
	75	GV30117-002A	CD FITTING	1		
	76	GV30127-004A	NAME PLATE	1		UB,US,UT,UJ
		GV30127-006A	NAME PLATE	1		UF
	77	GV40123-004A	SPACER	1	FOR LCD COVER	
△	78	QQT0308-003	POWER TRANSF.	1		UB,US,UT,UJ
△		QQT0308-002	POWER TRANSF.	1		UF
△	79	QMF51E2-R50-J1	FUSE	1	F1003	UF
△		QMF51E2-1R0-J1	FUSE	1	F1003	UB,US,UT,UJ
△	80	QMF51E2-1R25-J1	FUSE	1	F1002	
△	81	QMF51E2-6R3-J1	FUSE	1	F1001	
	82	QUQ610-1709AJ	CARD WIRE	1	CONN-CONN	
	83	QUQ110-2120BJ	CARD WIRE	1	MD-FMB	
	84	QUQ110-1509AJ	FFC WIRE	1	CD-PICKUP	
	85	QUQ412-1821CJ	CARD WIRE	1	CONN-FMB	
	86	QUQ412-0716DJ	FCC WIRE	1	FUNCT-FMB	
	87	QUQ412-0933CJ	FCC WIRE	1	TUNER-FMB	
	88	EWS176-008	FLAT WIRE	1	PICKUP-CD	
	89	GV40120-001A	LED HOLDER	3	FOR LED LAMP	
	90	GV40123-001A	SPACER	1	FOR LCD LENS BR	
	91	NSTM515AS	LED	3	D2912,D2904,D2908	
	92	QLD0132-001	LCD MODULE	1	KI901	
	93	E409372-001	CCEE LABEL	1		UF
	94	LV41768-001A	CCIB LABEL	1		UF

# CD loading base assembly and parts list

Block No. M 2 M M

FLM-120-1M

**Grease**  
 ★ = G-474C  
 ▲ = EBS0006-009B



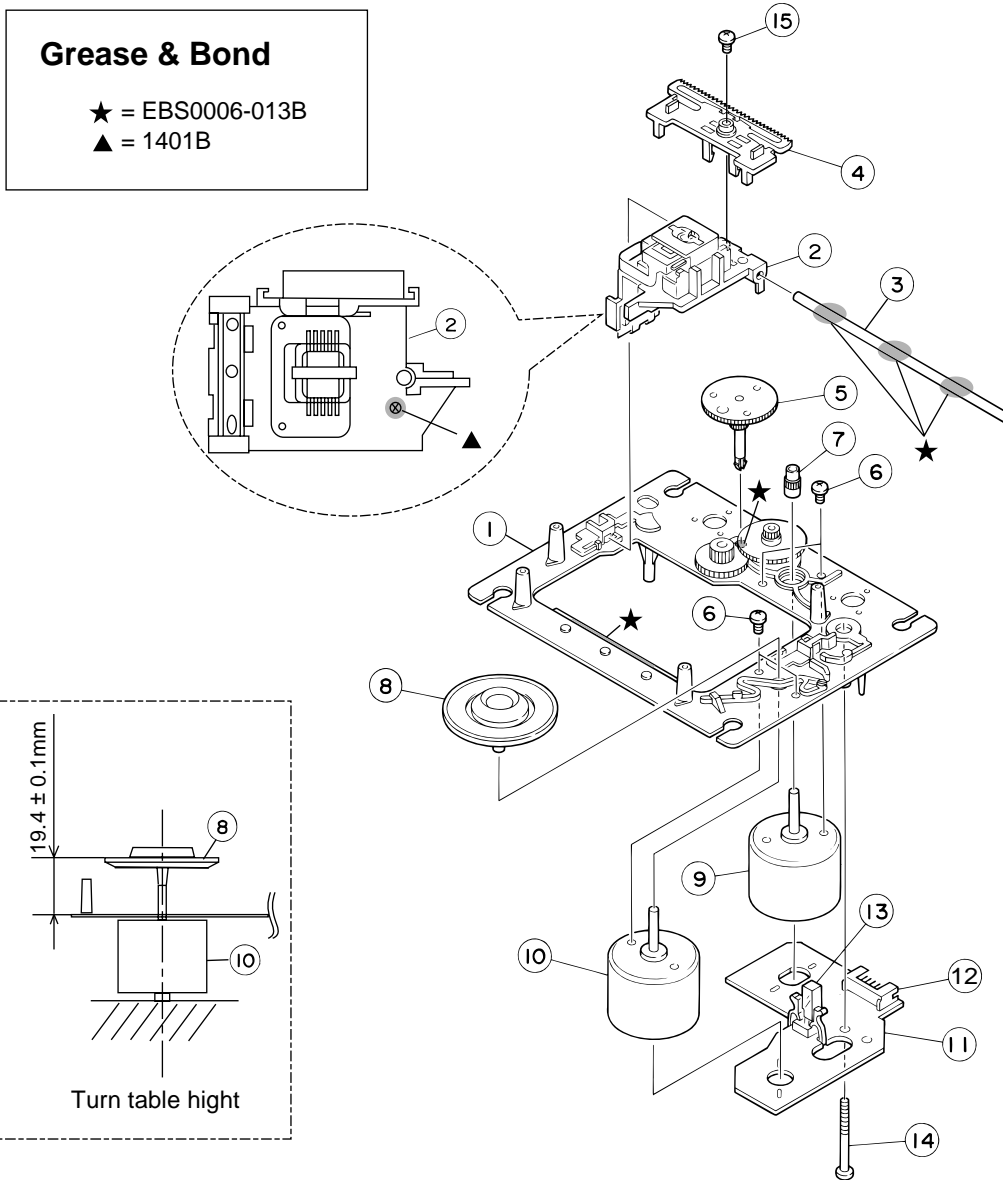
**Parts list (CD loading base)**

Block No. M2MM

△	Item	Parts number	Parts name	Q'ty	Description	Area
	1	E102357-331SM	CD LOADING BASE	1		
	2	MMN-6F1LB8K	MOTOR	1		
	3	E75984-222SS	MOTOR PULLEY	1		
	4	QYSPSPT2640Z	MINI SCREW	2		
	5	E75950-002	BELT	1		
	6	E75985-222SS	GEAR(1)	1		
	7	E60912-005SS	SPEED NUT	1		
	8	E75986-221SS	C.D GEAR (2)	1		
	9	E75987-221SS	C.D GEAR (3)	1		
	10	E307162-331SS	LEVER	1		
	11	E307252-331SS	CAM PLATE	1		
	12	E65923-003	TAPPING SCREW	1		
	13	E75989-001	SPRING	1		
	14	QYSBSF3008Z	SCREW	1		
	15	E307179-222SM	E.BASE ASS'Y	1		
	16	E406294-002	INSULATOR	4		
	17	E406871-001	SPRING	2		
	18	E65923-003	TAPPING SCREW	2		
	19	EMW10264-002	C.D CIR.BOARD	1		
	20	QGA2001F1-05	5P PLUG ASSY	1		
	21	QSW0472-001	SWITCH	1		

# CD mechanism assembly and parts list

Block No. M 3 M M



**Parts list (CD mechanism)**

Block No. **M3MM**

▲	Item	Parts number	Parts name	Q'ty	Description	Area
	1	E102731-221SM	CD MECHA BASE A	1		
	2	OPTIMA-7B	CD PICK	1		
	3	E406777-002SM	CD SHAFT	1		
	4	LV31002-001A	CD RACK	1		
	5	E307745-441SM	CD GEAR 3	1		
	6	QYSDSP2003N	SCREW	4		
	7	E406750-442SM	PINION	1		
	8	EPB-001PK	T.TABLE ASSY	1		
	9	E406784-001	FEED MOTOR	1		
	10	QAR0130-001	SP MOTOR	1		
	11	EMW10190-441	CIR BOARD	1		
	12	QGA2001F1-06	6P PLUG ASSY	1	FOR P011	
	13	QSW0506-001	LEAF SW	1	FOR S001	
	14	E75832-221SS	SPECIAL SCREW	1	FOR M.CB	
	15	QYSDSF2606Z	SCREW	1		

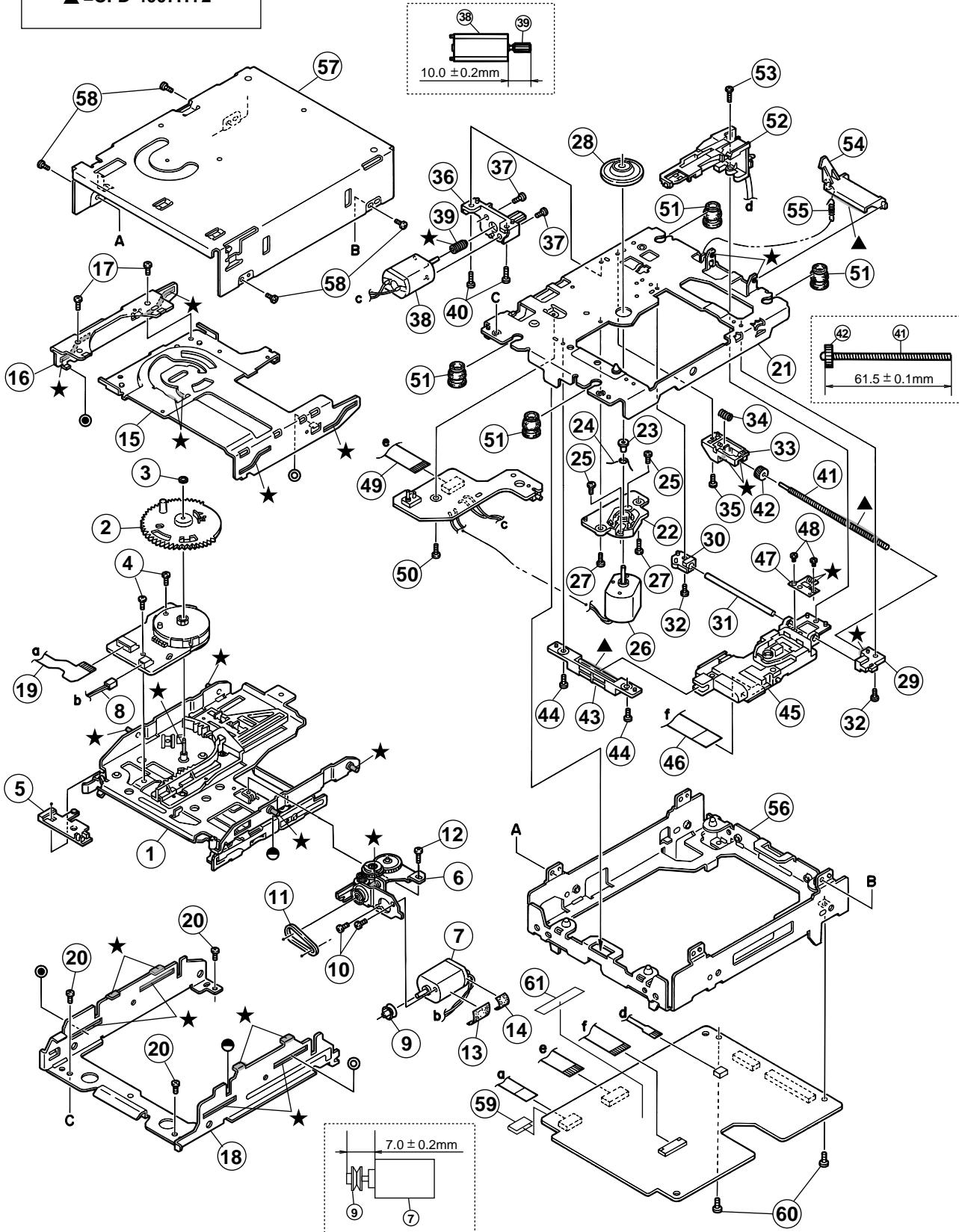
# MD mechanism assembly and parts list

Block No. M 4 M M

FMU-S2M-3M

**Grease**

- ★ = EM-30L
- ▲ = CFD-4007HY2





**Parts list (MD mechanism)**
**Block No. M4MM**

△	Item	Parts number	Parts name	Q'ty	Description	Area
	1	LV20548-007A	LOADING ASSY	1		
	2	LV31472-002A	CAM GEAR	1		
	3	QYWDL1230252	SLIT WASHER	1		
	4	LV41477-001A	MINI TAP SCREW	2	CAM SW PWB	
	5	LV32168-001A	WIRE HOLDER	1		
	6	LV31710-002A	L.MOTOR ASSY	1		
	7	QAR0144-001	MOTOR	1		
	8	WJM0117-003A	E-SI C WIRE C-F	1		
	9	LV41341-001A	MOTOR PULLEY	1		
	10	QYSPSPT2020M	MINI SCREW	2	LOAD.MOTOR	
	11	LV41342-001A	BELT	1		
	12	LV41477-001A	MINI TAP SCREW	1	L.MOTOR BKT.	
	13	LV30225-068A	SPACER	1		
	14	LV30225-085A	SPACER	1		
	15	LV20543-002A	SLIDE BASE R	1		
	16	LV31483-001A	SLIDE BASE L	1		
	17	LV41477-001A	MINI TAP SCREW	2	SLIDE BASE	
	18	LV10286-002A	LOAD.MECHA BASE	1		
	19	LVB40003-001A	FPC CABLE	1		
	20	LV41477-001A	MINI TAP SCREW	3	L.MECHA BASE	
	21	LV31709-003A	TM.CHASSIS ASSY	1		
	22	LV20545-001A	SP.MOTOR BASE	1		
	23	LE40515-001A	COLLAR	1		
	24	LE40516-001A	SPRING	1		
	25	QYSPSPU1720N	SCREW	2	SP.MOTOR	
	26	FF-110PH-08280	SP.MOTOR	1		
	27	LV41477-001A	MINI TAP SCREW	2	SP.MOTOR BASE	
	28	LE30470-202A	T.TABLE ASSY	1		
	29	LV41343-001A	SHAFT HOLDER R	1		
	30	LV41344-002A	SHAFT HOLDER F	1		
	31	VKH5803-001	GUIDE SHAFT	1		
	32	LV41477-001A	MINI TAP SCREW	2	SHAFT HOLDER	
	33	LV31484-001A	T.SPRING HOLDER	1		
	34	LV41350-001A	COM.SPRING	1		
	35	LV41477-001A	MINI TAP SCREW	1	T.SP.HOLDER	
	36	LV31485-001A	FEED MOTOR BKT.	1		
	37	QYSPSPT2025N	MINI SCREW	2	FEED MOTOR	
	38	QAR0144-001	MOTOR	1	(FEED MOTOR)	
	39	LV41345-001A	FEED WORM	1		
	40	LV41477-001A	MINI TAP SCREW	2	FEED MOTOR BKT.	
	41	LV41346-001A	SCREW SHAFT	1		
	42	LV41347-001A	S.SHAFT GEAR	1		
	43	LV31486-001A	PICK UP GUIDE	1		
	44	LV41477-001A	MINI TAP SCREW	2	P-UP GUIDE	
	45	KMS-260B1	MD PICK UNIT	1		
	46	LVB30007-001A	FPC CABLE	1		
	47	LV41348-001A	RACK SPRING	1		
	48	QYSPSPT1414M	MINI SCREW	2	RACK SPRING	

**■ Parts list (MD mechanism)**

Block No. M4MM

△	Item	Parts number	Parts name	Q'ty	Description	Area
	49	WJT0042-001A	E-CARD WIRE	1		
	50	LV41477-001A	MINI TAP SCREW	1	T.MECHA PWB	
	51	LV40761-003A	INSULATOR	4		
	52	QAH0039-002	MD HEAD	1		
	53	QYSPSPT1740N	MINI SCREW	1	MD HEAD	
	54	LV31487-002A	HEAD LIFTER	1		
	55	LV41349-001A	H.LIFTER SPRING	1		
	56	LV10284-002A	SINGLE FRAME	1		
	57	LV10285-003A	MECHA COVER	1		
	58	LV41477-001A	MINI TAP SCREW	4	MECHA COVER	
	59	LV30225-068A	SPACER	1		
	60	VKZ4539-024	MINI SCREW	2	SERVO PWB	
	61	LV30225-096A	SPACER	1		

## ■ Electrical parts list (CD servo board)

Block No. 01

△	Item	Parts number	Parts name	Remarks	Area	△	Item	Parts number	Parts name	Remarks	Area
	C 602	NCS21HJ-150X	C CAPACITOR				CN604	QGB1214J1-14S	CONNECTOR		
	C 604	QEK1CM-107Z	E CAPACITOR	100MF 20% 16V			D 661	1SS254-T2	SI DIODE		
	C 605	QEK1EM-106Z	E CAPACITOR	10MF 20% 25V			D 681	MTZJ5.6B-T2	ZENER DIODE		
	C 606	NCB21HK-102X	C CAPACITOR				IC601	AN8806SB-W	IC		
	C 607	NCB21HK-102X	C CAPACITOR				IC603	MN35510	IC		
	C 608	QEK1HM-105Z	E CAPACITOR	1.0MF 20% 50V			IC604	LB1641	IC		
	C 609	NCS21HJ-101X	C CAPACITOR				IC641	LA6541-X	IC		
	C 610	NCB21HK-273X	C CAPACITOR				L 681	QLL244K-100Z	INDUCTOR		
	C 611	NCB21HK-222X	C CAPACITOR				Q 601	2SA952/LK-T	TRANSISTOR		
	C 612	NCB21HK-103X	C CAPACITOR				Q 602	DTC124EKA-X	TRANSISTOR		
	C 613	NCS21HJ-331X	C CAPACITOR				Q 631	2SA952/LK-T	TRANSISTOR		
	C 614	NCB21EK-104X	C CAPACITOR				R 601	NRSA02J-562X	MG RESISTOR		
	C 615	NCB21HK-223X	C CAPACITOR				R 603	NRSA02J-155X	MG RESISTOR		
	C 616	NCB21HK-223X	C CAPACITOR				R 605	NRSA02J-274X	MG RESISTOR		
	C 617	NCB21HK-223X	C CAPACITOR				R 606	NRSA02J-154X	MG RESISTOR		
	C 618	NCB21HK-222X	C CAPACITOR				R 607	NRSA02J-273X	MG RESISTOR		
	C 619	NCS21HJ-271X	C CAPACITOR				R 608	NRSA02J-474X	MG RESISTOR		
	C 620	NCS21HJ-181X	C CAPACITOR				R 609	NRSA02J-104X	MG RESISTOR		
	C 621	NCS21HJ-102X	C CAPACITOR				R 610	NRSA02J-154X	MG RESISTOR		
	C 622	QEK41CM-476	E CAPACITOR	47MF 20% 16V			R 612	NRSA02J-102X	MG RESISTOR		
	C 623	NCB21EK-104X	C CAPACITOR				R 613	NRSA02J-121X	MG RESISTOR		
	C 625	NCS21HJ-470X	C CAPACITOR				R 614	NRSA02J-100X	MG RESISTOR		
	C 628	NCB21EK-473X	C CAPACITOR				R 615	NRSA02J-120X	MG RESISTOR		
	C 629	QEK1CM-107Z	E CAPACITOR	100MF 20% 16V			R 616	NRSA02J-910X	MG RESISTOR		
	C 631	EETC1AM-477ZJC	E CAPACITOR				R 621	NRSA02J-330X	MG RESISTOR		
	C 632	QETC1AM-477Z	E CAPACITOR	470MF 20% 10V			R 622	NRSA02J-330X	MG RESISTOR		
	C 633	NCS21HJ-391X	C CAPACITOR				R 623	NRSA02J-330X	MG RESISTOR		
	C 634	NCS21HJ-391X	C CAPACITOR				R 627	NRSA02J-562X	MG RESISTOR		
	C 635	NCS21HJ-391X	C CAPACITOR				R 628	NRSA02J-222X	MG RESISTOR		
	C 636	NCS21HJ-391X	C CAPACITOR				R 629	NRSA02J-752X	MG RESISTOR		
	C 637	NCF21CZ-105X	C CAPACITOR				R 632	NRSA02J-473X	MG RESISTOR		
	C 641	NCB21HK-223X	C CAPACITOR				R 634	NRSA02J-472X	MG RESISTOR		
	C 642	NCB21HK-472X	C CAPACITOR				R 635	NRSA02J-155X	MG RESISTOR		
	C 643	QEQF1EM-475Z	NP E CAPACITOR	4.7MF 20% 25V			R 641	NRSA02J-224X	MG RESISTOR		
	C 644	NCB21HK-273X	C CAPACITOR				R 642	NRSA02J-912X	MG RESISTOR		
	C 645	QEQF1HM-105Z	NP E CAPACITOR	1.0MF 20% 50V			R 643	NRSA02J-133X	MG RESISTOR		
	C 651	NDC21HJ-120X	C CAPACITOR				R 644	NRSA02J-243X	MG RESISTOR		
	C 652	NDC21HJ-120X	C CAPACITOR				R 645	NRSA02J-273X	MG RESISTOR		
	C 653	NCB21HK-223X	C CAPACITOR				R 646	NRSA02J-242X	MG RESISTOR		
	C 655	NCB21EK-473X	C CAPACITOR				R 647	NRSA02J-182X	MG RESISTOR		
	C 661	NCS21HJ-471X	C CAPACITOR				R 648	NRSA02J-332X	MG RESISTOR		
	C 662	NCB21HK-223X	C CAPACITOR				R 649	NRSA02J-821X	MG RESISTOR		
	C 663	NCB21HK-223X	C CAPACITOR				R 650	NRSA02J-122X	MG RESISTOR		
	C 664	NCB21HK-223X	C CAPACITOR				R 651	NRSA02J-102X	MG RESISTOR		
	C 665	NCB21CK-104X	C CAPACITOR				R 652	NRSA02J-102X	MG RESISTOR		
	C 668	QEK0JM-476Z	E CAPACITOR	47MF 20% 6.3V			R 653	NRSA02J-102X	MG RESISTOR		
	C 669	NCB21HK-222X	C CAPACITOR				R 654	NRSA02J-102X	MG RESISTOR		
	C 671	NCB21HK-222X	C CAPACITOR				R 656	NRSA02J-102X	MG RESISTOR		
	C 672	NCB21HK-222X	C CAPACITOR				R 659	NRSA02J-271X	MG RESISTOR		
	C 673	QETC1AM-477Z	E CAPACITOR	470MF 20% 10V			R 660	QRE141J-272Y	C RESISTOR	2.7K 5% 1/4W	
	C 674	NCB21HK-223X	C CAPACITOR				R 661	NRSA02J-104X	MG RESISTOR		
	C 675	NCB21HK-102X	C CAPACITOR				R 662	NRSA02J-155X	MG RESISTOR		
	C 676	NCB21HK-102X	C CAPACITOR				R 663	NRSA02J-124X	MG RESISTOR		
	C 677	NCB21HK-223X	C CAPACITOR				R 664	NRSA02J-471X	MG RESISTOR		
	C 681	NCB21CK-104X	C CAPACITOR				R 665	NRSA02J-683X	MG RESISTOR		
	C 682	NCB21HK-103X	C CAPACITOR				R 666	NRSA02J-220X	MG RESISTOR		
	C 683	QEK1CM-107Z	E CAPACITOR	100MF 20% 16V			R 668	NRSA02J-220X	MG RESISTOR		
	C 691	NCS21HJ-151X	C CAPACITOR				R 671	NRSA02J-102X	MG RESISTOR		
	C 692	NCS21HJ-151X	C CAPACITOR				R 672	NRSA02J-102X	MG RESISTOR		
	C 693	NCS21HJ-151X	C CAPACITOR				R 682	NRSA02J-220X	MG RESISTOR		
	C 694	NCS21HJ-101X	C CAPACITOR				R 683	NRSA02J-220X	MG RESISTOR		
	C 698	NCS21HJ-102X	C CAPACITOR				W 605	QJP002-022200	WIRE		
	CN601	QGF1023F1-15	15PIN CONNECTOR				W 606	QJB001-051800	WIRE		
	CN602	QGA2001F1-06	6P PLUG ASSY				X 651	QAX0599-001Z	CRYSTAL		
	CN603	QGB1214J1-14S	CONNECTOR								

## ■ Electrical parts list (System control board)

Block No. 02

△	Item	Parts number	Parts name	Remarks	Area	△	Item	Parts number	Parts name	Remarks	Area
	CN701	QGF1205C1-09	CONNECTOR	TO TUNER			C2313	QDGB1HK-102Y	C CAPACITOR		
	CN703	QGB1214K1-14S	CONNECTOR	TO CD MECHA			C2316	QDYB1CM-103Y	C CAPACITOR		
	CN704	QGB1214K1-14S	CONNECTOR	TO CD MECHA			C2317	QEKC0JM-107Z	E CAPACITOR	100MF 20% 6.3V	
	CN705	QGF1201C3-07	CONNECTOR	TO FUNCTION KEY			C2318	QDVB1EZ-223Y	C CAPACITOR		
	CN706	QGA2501C1-02	2P CONNECTOR	DIGITAL IN			C2319	QDVB1EZ-223Y	C CAPACITOR		
	CN707	QGD2504C1-05Z	CONNER	FR PANEL SENSOR			C2322	QCFB1HZ-104Y	C CAPACITOR	.10MF +80:-20%	
	CN708	QGF1201C3-18	FFC/FPC CONNE	TO LCD			C2326	QDGB1HK-102Y	C CAPACITOR		
	CN711	QGB2510J1-13	CONNECTOR	TO FMH			C2328	QCB1HK-101Y	C CAPACITOR	100PF 10% 50V	
	CN712	QGB2510J1-13	CONNECTOR	TO FMH			C2351	QER61EM-475Z	E CAPACITOR	4.7MF 20% 25V	
	CN721	QGF1016C1-21	CONNECTOR	TO MD MECHA			C2352	QER61CM-107Z	E CAPACITOR	100MF 20% 16V	
	C2001	NCB21HK-103X	C CAPACITOR				C2451	QER41HM-105	E CAPACITOR	1.0MF 20% 50V	
	C2002	NCB21HK-103X	C CAPACITOR				C2452	QER41HM-105	E CAPACITOR	1.0MF 20% 50V	
	C2003	NCS21HJ-101X	C CAPACITOR				C2453	NCB21HK-103X	C CAPACITOR		
	C2004	NCS21HJ-101X	C CAPACITOR				C2501	QEKC1EM-106Z	E CAPACITOR	10MF 20% 25V	
	C2005	NCB21HK-103X	C CAPACITOR				C2502	QEK41CM-476	E CAPACITOR	47MF 20% 16V	
	C2006	NCS21HJ-101X	C CAPACITOR				C2701	NCB21HK-102X	C CAPACITOR		
	C2007	NCS21HJ-101X	C CAPACITOR				C2702	NCB21HK-102X	C CAPACITOR		
	C2008	NCS21HJ-470X	C CAPACITOR				C2703	NCS21HJ-470X	C CAPACITOR		
	C2009	NCS21HJ-101X	C CAPACITOR				C2704	NCS21HJ-270X	C CAPACITOR		
	C2010	NCS21HJ-101X	C CAPACITOR				C2705	NCS21HJ-330X	C CAPACITOR		
	C2011	NCS21HJ-101X	C CAPACITOR				C2706	NCS21HJ-470X	C CAPACITOR		
	C2015	EEKC1AM-476ZJC	E CAPACITOR				C2707	NCB21HK-102X	C CAPACITOR		
	C2017	EETC1CM-476ZJC	E CAPACITOR				C2708	EEKC1CM-107ZJC	E CAPACITOR		
	C2101	QFVF1HJ-104Z	MF CAPACITOR	.10MF 5% 50V			C2709	NCB21HK-103X	C CAPACITOR		
	C2102	QFVF1HJ-104Z	MF CAPACITOR	.10MF 5% 50V			C2710	NCS21HJ-220X	C CAPACITOR		
	C2103	QFLM1HJ-272Z	M CAPACITOR	2700PF 5% 50V			C2711	NCS21HJ-220X	C CAPACITOR		
	C2104	QETN1HM-475Z	E CAPACITOR	4.7MF 20% 50V			C2712	QETM0JM-228	E CAPACITOR	2200MF 20% 6.3V	
	C2106	QETN1HM-475Z	E CAPACITOR	4.7MF 20% 50V			C2713	EEKC1HM-225ZJC	E CAPACITOR		
	C2107	EETC1HM-475ZJC	E CAPACITOR				C2714	EEKC1HM-475ZJC	E CAPACITOR		
	C2108	EETC1HM-475ZJC	E CAPACITOR				C2715	EETC1CM-107ZJC	E CAPACITOR		
	C2110	QTE1V06-106Z	E CAPACITOR				C2716	QFVF1HJ-104Z	MF CAPACITOR	.10MF 5% 50V	
	C2112	NCS21HJ-221X	C CAPACITOR				C2751	EEKC1HM-105ZJC	E CAPACITOR		
	C2114	QFN31HJ-562Z	M CAPACITOR	5600PF 5% 50V			C2752	EEKC1HM-105ZJC	E CAPACITOR		
	C2115	EEKC1EM-106ZJC	E CAPACITOR				C2753	EEKC1HM-105ZJC	E CAPACITOR		
	C2116	QCB1HK-151Y	C CAPACITOR	150PF 10% 50V			C2852	QDYB1CM-103Y	C CAPACITOR		
	C2117	QCB1HK-151Y	C CAPACITOR	150PF 10% 50V			C2853	EEKC1CM-107ZJC	E CAPACITOR		
	C2118	QDGB1HK-102Y	C CAPACITOR				C2855	QDYB1CM-103Y	C CAPACITOR		
	C2119	QFLC1HJ-123Z	M CAPACITOR	.012MF 5% 50V			D2001	1SS133-T2	SI DIODE		
	C2120	EETC1HM-475ZJC	E CAPACITOR				D2301	MTZJ6.2A-T2	Z.DIODE		
	C2121	NCS21HJ-221X	C CAPACITOR				D2351	MTZJ3.9B-T2	Z DIODE		
	C2201	QFVF1HJ-104Z	MF CAPACITOR	.10MF 5% 50V			D2352	1SS133-T2	SI DIODE		
	C2202	QFVF1HJ-104Z	MF CAPACITOR	.10MF 5% 50V			D2353	1SS133-T2	SI DIODE		
	C2203	QFLM1HJ-272Z	M CAPACITOR	2700PF 5% 50V			D2451	1SS133-T2	SI DIODE		
	C2204	QETN1HM-475Z	E CAPACITOR	4.7MF 20% 50V			D2452	1SS133-T2	SI DIODE		
	C2206	QETN1HM-475Z	E CAPACITOR	4.7MF 20% 50V			D2453	MTZJ3.3B-T2	ZENER DIODE		
	C2207	EETC1HM-475ZJC	E CAPACITOR				D2456	MTZJ7.5C-T2	ZENER DIODE		
	C2208	EETC1HM-475ZJC	E CAPACITOR				D2701	1SS133-T2	SI DIODE	US5V	
	C2210	QTE1V06-106Z	E CAPACITOR				D2702	1SS133-T2	SI DIODE		
	C2212	NCS21HJ-221X	C CAPACITOR				D2703	MTZJ5.1C-T2	ZENER DIODE		
	C2214	QFN31HJ-562Z	M CAPACITOR	5600PF 5% 50V			D2704	MTZJ8.2B-T2	DIODE		
	C2215	EEKC1EM-106ZJC	E CAPACITOR				D2705	1SS133-T2	SI DIODE		
	C2216	QCB1HK-151Y	C CAPACITOR	150PF 10% 50V			D2706	1SS133-T2	SI DIODE		
	C2217	QCB1HK-151Y	C CAPACITOR	150PF 10% 50V			D2707	1SS133-T2	SI DIODE		
	C2218	QDGB1HK-102Y	C CAPACITOR				D2708	1SS133-T2	SI DIODE		
	C2219	QFLC1HJ-123Z	M CAPACITOR	.012MF 5% 50V			D2851	MTZJ5.1B-T2	ZENER DIODE		
	C2220	EETC1HM-475ZJC	E CAPACITOR				D2852	MTZJ6.8B-T2	ZENER DIODE		
	C2221	NCS21HJ-221X	C CAPACITOR				IC701	UPD784215AGF506	IC	SYSTEM MICOM	
	C2305	QDGB1HK-102Y	C CAPACITOR				IC702	LC75342	IC		
	C2306	QCB1HK-101Y	C CAPACITOR	100PF 10% 50V			IC703	LB1641	IC		
	C2307	QCB1HK-101Y	C CAPACITOR	100PF 10% 50V			IC704	KIA78S06P-T	IC	US6V REG	
	C2308	QCB1HK-101Y	C CAPACITOR	100PF 10% 50V			J2001	QNN0018-001	PIN JACK	AUX I/O JACK	
	C2309	QDGB1HK-102Y	C CAPACITOR				K2001	QQR0621-001Z	FERRITE BEADS		
	C2310	QDGB1HK-102Y	C CAPACITOR				K2002	QQR0621-001Z	FERRITE BEADS		

■ Electrical parts list (System control board)

Block No. 02

△	Item	Parts number	Parts name	Remarks	Area
	K2301	QQR0621-001Z	FERRITE BEADS		
	K2302	QQR0621-001Z	FERRITE BEADS		
	K2303	QQR0621-001Z	FERRITE BEADS		
	K2304	QQR0621-001Z	FERRITE BEADS		
	K2305	QQR0621-001Z	FERRITE BEADS		
	K2306	QQR0621-001Z	FERRITE BEADS		
	LF711	QQR0590-001	FILTER		
	LF721	QQR0590-001	FILTER		
	L2001	QQL244K-100Z	INDUCTOR		
	L2002	QQL244K-100Z	INDUCTOR		
	L2101	QQL231K-4R7Y	INDUCTOR		
	L2201	QQL231K-4R7Y	INDUCTOR		
	L2302	QQL173K-470Z	INDUCTOR		
	L2304	QQL231K-4R7Y	INDUCTOR		
	L2305	QQL231K-4R7Y	INDUCTOR		
	L2306	QQL231K-4R7Y	INDUCTOR		
	Q2103	2SC2412K/R/-X	TRANSISTOR		
	Q2104	2SC2412K/R/-X	TRANSISTOR		
	Q2203	2SC2412K/R/-X	TRANSISTOR		
	Q2204	2SC2412K/R/-X	TRANSISTOR		
	Q2301	2SC2001/LK/-T	TRANSISTOR		
	Q2351	2SA1037AK/R/-X	TRANSISTOR		
	Q2352	2SC2412K/R/-X	TRANSISTOR		
	Q2451	KRA101M-T	D.TRANSISTOR		
	Q2452	KRA101M-T	D.TRANSISTOR		
	Q2453	KRC102M-T	D.TRANSISTOR		
	Q2701	2SC2668/O/-T	TRANSISTOR	CLOCK SHIFT	
	Q2702	2SC2668/O/-T	TRANSISTOR	CLOCK SHIFT	
	Q2703	2SA1037AK/RS/-X	TRANSISTOR	SW5V	
	Q2704	2SC2412K/R/-X	TRANSISTOR	RESET SW	
	Q2705	2SC2412K/R/-X	TRANSISTOR	BACKUP CONT	
	Q2706	2SC2412K/R/-X	TRANSISTOR		
	Q2707	2SC2412K/R/-X	TRANSISTOR		
	Q2708	2SC2412K/R/-X	TRANSISTOR		
	Q2709	2SC2412K/R/-X	TRANSISTOR		
	Q2710	2SC2412K/R/-X	TRANSISTOR		
	Q2711	2SC2412K/R/-X	TRANSISTOR		
	Q2712	2SC2412K/R/-X	TRANSISTOR		
	Q2713	2SC2412K/R/-X	TRANSISTOR		
	Q2714	2SC2412K/R/-X	TRANSISTOR		
	Q2715	2SC2412K/R/-X	TRANSISTOR		
	Q2716	2SC2412K/R/-X	TRANSISTOR		
	Q2717	2SC2412K/R/-X	TRANSISTOR		
	Q2853	KTC3199/GL/-T	TRANSISTOR		
	R2002	NRSA02J-103X	MG RESISTOR		
	R2003	NRSA02J-222X	MG RESISTOR		
	R2004	NRSA02J-222X	MG RESISTOR		
	R2005	NRSA02J-222X	MG RESISTOR		
	R2006	NRSA02J-222X	MG RESISTOR		
	R2007	NRSA02J-222X	MG RESISTOR		
	R2008	NRSA02J-103X	MG RESISTOR		
	R2009	NRSA02J-222X	MG RESISTOR		
	R2010	NRSA02J-222X	MG RESISTOR		
	R2011	NRSA02J-102X	MG RESISTOR		
	R2012	NRSA02J-153X	MG RESISTOR		
	R2014	NRSA02J-222X	MG RESISTOR		
	R2015	NRSA02J-102X	MG RESISTOR		
	R2016	NRSA02J-103X	MG RESISTOR		
	R2017	NRSA02J-103X	MG RESISTOR		
	R2018	NRSA02J-222X	MG RESISTOR		
	R2019	NRSA02J-222X	MG RESISTOR		
	R2020	NRSA02J-103X	MG RESISTOR		
	R2021	NRSA02J-103X	MG RESISTOR		

△	Item	Parts number	Parts name	Remarks	Area
	R2022	NRSA02J-222X	MG RESISTOR		
	R2023	NRSA02J-102X	MG RESISTOR		
	R2024	NRSA02J-102X	MG RESISTOR		
	R2025	QRE141J-102Y	C RESISTOR	1.0K 5% 1/4W	
	R2026	NRSA02J-222X	MG RESISTOR		
	R2027	NRSA02J-102X	MG RESISTOR		
	R2028	NRSA02J-103X	MG RESISTOR		
	R2029	NRSA02J-102X	MG RESISTOR		
	R2030	NRSA02J-104X	MG RESISTOR		
	R2031	NRSA02J-104X	MG RESISTOR		
	R2032	NRSA02J-102X	MG RESISTOR		
	R2033	NRSA02J-222X	MG RESISTOR		
	R2035	NRSA02J-222X	MG RESISTOR		
	R2036	NRSA02J-222X	MG RESISTOR		
	R2037	NRSA02J-222X	MG RESISTOR		
	R2038	NRSA02J-102X	MG RESISTOR		
	R2039	NRSA02J-223X	MG RESISTOR		
	R2040	NRSA02J-472X	MG RESISTOR		
	R2041	NRSA02J-222X	MG RESISTOR		
	R2042	NRSA02J-222X	MG RESISTOR		
	R2043	NRSA02J-222X	MG RESISTOR		
	R2044	NRSA02J-222X	MG RESISTOR		
	R2045	NRSA02J-103X	MG RESISTOR		
	R2046	NRSA02J-222X	MG RESISTOR		
	R2047	NRSA02J-103X	MG RESISTOR		
	R2051	NRSA02J-222X	MG RESISTOR		
	R2052	NRSA02J-222X	MG RESISTOR		
	R2053	NRSA02J-102X	MG RESISTOR		
	R2054	NRSA02J-102X	MG RESISTOR		
	R2055	NRSA02J-102X	MG RESISTOR		
	R2056	NRSA02J-102X	MG RESISTOR		
	R2057	NRSA02J-222X	MG RESISTOR		
	R2058	NRSA02J-222X	MG RESISTOR		
	R2059	NRSA02J-103X	MG RESISTOR		
	R2060	NRSA02J-222X	MG RESISTOR		
	R2061	NRSA02J-222X	MG RESISTOR		
	R2062	NRSA02J-102X	MG RESISTOR		
	R2063	NRSA02J-102X	MG RESISTOR		
	R2064	NRSA02J-102X	MG RESISTOR		
	R2065	NRSA02J-102X	MG RESISTOR		
	R2066	NRSA02J-102X	MG RESISTOR		
	R2067	NRSA02J-222X	MG RESISTOR		
	R2068	NRSA02J-103X	MG RESISTOR		
	R2069	NRSA02J-103X	MG RESISTOR		
	R2070	NRSA02J-103X	MG RESISTOR		
	R2071	NRSA02J-103X	MG RESISTOR		
	R2072	NRSA02J-222X	MG RESISTOR		
	R2073	NRSA02J-222X	MG RESISTOR		
	R2075	NRSA02J-222X	MG RESISTOR		
	R2077	NRSA02J-222X	MG RESISTOR		
	R2084	NRSA02J-103X	MG RESISTOR		
	R2085	NRSA02J-473X	MG RESISTOR		
	R2086	NRSA02J-473X	MG RESISTOR		
	R2087	NRSA02J-473X	MG RESISTOR		
	R2088	NRSA02J-104X	MG RESISTOR		
	R2090	NRSA02J-222X	MG RESISTOR		
	R2091	NRSA02J-473X	MG RESISTOR		
	R2092	QRE141J-473Y	C RESISTOR	47K 5% 1/4W	
	R2093	QRE141J-473Y	C RESISTOR	47K 5% 1/4W	
	R2094	NRSA02J-222X	MG RESISTOR		
	R2101	QRE141J-392Y	C RESISTOR	3.9K 5% 1/4W	
	R2103	NRSA02J-203X	MG RESISTOR		
	R2104	NRSA02J-393X	MG RESISTOR		

■ Electrical parts list (System control board)

Block No. 02

△	Item	Parts number	Parts name	Remarks	Area
	R2106	NRSA02J-153X	MG RESISTOR		
	R2110	NRSA02J-122X	MG RESISTOR		
	R2111	NRSA02J-682X	MG RESISTOR		
	R2112	NRSA02J-222X	MG RESISTOR		
	R2113	NRSA02J-123X	MG RESISTOR		
	R2115	QRE141J-622Y	C RESISTOR	6.2K 5% 1/4W	
	R2116	QRE141J-182Y	C RESISTOR	1.8K 5% 1/4W	
	R2117	QRE141J-152Y	C RESISTOR	1.5K 5% 1/4W	
	R2118	NRSA02J-221X	MG RESISTOR		
	R2119	NRSA02J-222X	MG RESISTOR		
	R2120	NRSA02J-562X	MG RESISTOR		
	R2122	QRE141J-622Y	C RESISTOR	6.2K 5% 1/4W	
	R2123	NRSA02J-222X	MG RESISTOR		
	R2201	QRE141J-392Y	C RESISTOR	3.9K 5% 1/4W	
	R2203	NRSA02J-203X	MG RESISTOR		
	R2204	NRSA02J-393X	MG RESISTOR		
	R2206	NRSA02J-153X	MG RESISTOR		
	R2210	NRSA02J-122X	MG RESISTOR		
	R2211	NRSA02J-682X	MG RESISTOR		
	R2212	NRSA02J-222X	MG RESISTOR		
	R2213	NRSA02J-123X	MG RESISTOR		
	R2215	QRE141J-622Y	C RESISTOR	6.2K 5% 1/4W	
	R2216	QRE141J-182Y	C RESISTOR	1.8K 5% 1/4W	
	R2217	QRE141J-152Y	C RESISTOR	1.5K 5% 1/4W	
	R2218	NRSA02J-221X	MG RESISTOR		
	R2219	NRSA02J-222X	MG RESISTOR		
	R2220	NRSA02J-562X	MG RESISTOR		
	R2222	QRE141J-622Y	C RESISTOR	6.2K 5% 1/4W	
	R2223	NRSA02J-222X	MG RESISTOR		
	R2303	QRE141J-561Y	C RESISTOR	560 5% 1/4W	
	R2304	QRE141J-331Y	C RESISTOR	330 5% 1/4W	
	R2351	NRSA02J-390X	MG RESISTOR		
	R2352	NRSA02J-222X	MG RESISTOR		
	R2353	NRSA02J-333X	MG RESISTOR		
	R2354	NRSA02J-101X	MG RESISTOR		
	R2503	QRE141J-222Y	C RESISTOR	2.2K 5% 1/4W	
	R2504	QRE141J-222Y	C RESISTOR	2.2K 5% 1/4W	
	R2505	QRE141J-222Y	C RESISTOR	2.2K 5% 1/4W	
	R2701	NRSA02J-103X	MG RESISTOR		
	R2702	NRSA02J-822X	MG RESISTOR		
	R2703	NRSA02J-822X	MG RESISTOR		
	R2704	NRSA02J-103X	MG RESISTOR		
	R2705	NRSA02J-331X	MG RESISTOR		
	R2706	NRSA02J-103X	MG RESISTOR		
	R2707	NRSA02J-103X	MG RESISTOR		
	R2708	NRSA02J-103X	MG RESISTOR		
	R2709	NRSA02J-103X	MG RESISTOR		
	R2710	NRSA02J-104X	MG RESISTOR		
	R2711	NRSA02J-473X	MG RESISTOR		
	R2712	NRSA02J-333X	MG RESISTOR		
	R2713	NRSA02J-102X	MG RESISTOR		
	R2714	NRSA02J-102X	MG RESISTOR		
	R2715	NRSA02J-102X	MG RESISTOR		
	R2716	NRSA02J-102X	MG RESISTOR		
	R2717	NRSA02J-102X	MG RESISTOR		
	R2718	NRSA02J-102X	MG RESISTOR		
	R2719	NRSA02J-391X	MG RESISTOR		
	R2720	NRSA02J-391X	MG RESISTOR		
	R2721	NRSA02J-681X	MG RESISTOR		
	R2722	NRSA02J-681X	MG RESISTOR		
	R2723	NRSA02J-681X	MG RESISTOR		
	R2724	NRSA02J-681X	MG RESISTOR		
	R2725	NRSA02J-391X	MG RESISTOR		

△	Item	Parts number	Parts name	Remarks	Area
	R2726	NRSA02J-391X	MG RESISTOR		
	R2727	NRSA02J-681X	MG RESISTOR		
	R2728	NRSA02J-681X	MG RESISTOR		
	R2729	NRSA02J-681X	MG RESISTOR		
	R2730	NRSA02J-681X	MG RESISTOR		
	R2731	NRSA02J-391X	MG RESISTOR		
	R2732	NRSA02J-391X	MG RESISTOR		
	R2733	NRSA02J-681X	MG RESISTOR		
	R2734	NRSA02J-681X	MG RESISTOR		
	R2735	NRSA02J-681X	MG RESISTOR		
	R2736	NRSA02J-681X	MG RESISTOR		
	R2740	NRSA02J-222X	MG RESISTOR		
	R2741	NRSA02J-222X	MG RESISTOR		
	R2742	NRSA02J-222X	MG RESISTOR		
	R2743	NRSA02J-222X	MG RESISTOR		
	R2744	NRSA02J-222X	MG RESISTOR		
	R2745	NRSA02J-222X	MG RESISTOR		
	R2852	QRE141J-100Y	C RESISTOR	10 5% 1/4W	
	R2853	QRE141J-222Y	C RESISTOR	2.2K 5% 1/4W	
	R2854	QRE141J-222Y	C RESISTOR	2.2K 5% 1/4W	
	R2855	QRE141J-100Y	C RESISTOR	10 5% 1/4W	
	R2856	QRE141J-9R1Y	C RESISTOR	9.1 5% 1/4W	
	X2701	QAX0283-001Z	CRYSTAL	MAIN CLOCK	
	X2702	QAX0401-001	CRYSTAL	SUB CLOCK	

■ Electrical parts list (Main AMP. board)

Block No. 03

△	Item	Parts number	Parts name	Remarks	Area
	CN801	QGB2510K2-13	CONNECTOR		
	CN802	QGB2510K2-13	CONNECTOR		
	CN803	QGA3901C1-04	4P CONNECTOR		
	CN804	QGA2501C1-05	5P CONNECTOR		
	CN805	QGA7901C1-04	CONNECTOR		UB,US,UT,UJ
	CN805	QGA7901C1-02	CONNECTOR		UF
	CN806	QGA2501C1-02	2P CONNECTOR		
	CN807	QGA2501C1-02	2P CONNECTOR		
	CN905	QGF1201F3-07	CONNECTOR		
	CN908	QGF1016F1-17	CONNECTOR	TO CONN. BOARD	
	CN909	QGF1201C3-18	FFC/FPC CONNE	FROM FMB	
	CN911	QGF1016C1-17	CONNECTOR	FROM CONN.BOARD	
	CN912	QGB2024K1-17S	CONNECTOR	TO LCD	
	CN913	QGB2024J1-17S	B TO B CONNE	LED CONN.	
	C1001	QCF31HZ-223Z	C CAPACITOR	.022MF +80:-20%	
	C1002	QCF31HZ-223Z	C CAPACITOR	.022MF +80:-20%	
	C1003	QCF31HZ-223Z	C CAPACITOR	.022MF +80:-20%	
	C1004	QCF31HZ-223Z	C CAPACITOR	.022MF +80:-20%	
	C1007	QDGB1HK-103Y	C CAPACITOR		
	C1008	QDGB1HK-102Y	C CAPACITOR		
	C1009	QCZ0205-155Z	ML C CAPACITOR	1.5MF	
△	C1010	QETM1CM-478	E CAPACITOR	4700MF 20% 16V	
	C1014	QFLK1HJ-104Z	TF CAPACITOR	.10MF 5% 50V	
	C1015	QFLK1HJ-104Z	TF CAPACITOR	.10MF 5% 50V	
	C1016	QFLK1HJ-104Z	TF CAPACITOR	.10MF 5% 50V	
	C1017	QFLK1HJ-104Z	TF CAPACITOR	.10MF 5% 50V	
△	C1018	QEZ0512-828	E CAPACITOR	8200MF	
	C1026	EETC1HM-105ZJC	E CAPACITOR		
	C1027	EETC1HM-106ZJC	E CAPACITOR		
	C1032	EETC1EM-476ZJC	E CAPACITOR		
	C1033	EETC1EM-476ZJC	E CAPACITOR		
	C1042	EETC1HM-106ZJC	E CAPACITOR		
	C1043	QETN1CM-107Z	E CAPACITOR	100MF 20% 16V	
	C1046	QETN1HM-336Z	E CAPACITOR	33MF 20% 50V	
	C1047	QETN1HM-105Z	E CAPACITOR	1.0MF 20% 50V	
	C1052	EETC1HM-105ZJC	E CAPACITOR		
	C1053	EETC1HM-105ZJC	E CAPACITOR		
	C1054	QFLC1HJ-563Z	TF CAPACITOR	.056MF 5% 50V	
	C1055	QFLC1HJ-563Z	TF CAPACITOR	.056MF 5% 50V	
	C1056	QFLK1HJ-104Z	TF CAPACITOR	.10MF 5% 50V	
	C1057	EETC1HM-225ZJC	E CAPACITOR		
	C1058	QEK1CM-107Z	E CAPACITOR	100MF 20% 16V	
	C1090	QDYB1CM-103Y	C CAPACITOR		
	C1101	QFVF1HJ-274Z	MF CAPACITOR	.27MF 5% 50V	
	C1102	QFVJ1HJ-823Z	MF CAPACITOR	.082MF 5% 50V	
	C1103	QFVJ1HJ-823Z	MF CAPACITOR	.082MF 5% 50V	
	C1104	QTE1C06-226Z	E CAPACITOR		
	C1105	QTE1V06-106Z	E CAPACITOR		
	C1106	QDGB1HK-102Y	C CAPACITOR		
	C1107	QCBB1HK-331Y	C CAPACITOR	330PF 10% 50V	
	C1108	QFVF1HJ-104Z	MF CAPACITOR	.10MF 5% 50V	
	C1109	QFVF1HJ-104Z	MF CAPACITOR	.10MF 5% 50V	
	C1110	QCBB1HK-221Y	C CAPACITOR	220PF 10% 50V	
	C1111	QDXB1CM-332Y	C CAPACITOR		
	C1201	QFVF1HJ-274Z	MF CAPACITOR	.27MF 5% 50V	
	C1202	QFVJ1HJ-823Z	MF CAPACITOR	.082MF 5% 50V	
	C1203	QFVJ1HJ-823Z	MF CAPACITOR	.082MF 5% 50V	
	C1204	QTE1C06-226Z	E CAPACITOR		
	C1205	QTE1V06-106Z	E CAPACITOR		
	C1206	QDGB1HK-102Y	C CAPACITOR		
	C1207	QCBB1HK-331Y	C CAPACITOR	330PF 10% 50V	
	C1208	QFVF1HJ-104Z	MF CAPACITOR	.10MF 5% 50V	
	C1209	QFVF1HJ-104Z	MF CAPACITOR	.10MF 5% 50V	

△	Item	Parts number	Parts name	Remarks	Area
	C1210	QCBB1HK-221Y	C CAPACITOR	220PF 10% 50V	
	C1211	QDXB1CM-332Y	C CAPACITOR		
	C1301	QETN1CM-107Z	E CAPACITOR	100MF 20% 16V	
	C1401	QER61EM-106Z	E CAPACITOR	10MF 20% 25V	
	C1402	EETC1HM-226ZJC	E CAPACITOR		
	C1501	QCBB1HK-151Y	C CAPACITOR	150PF 10% 50V	
	C1502	QTE1C06-226Z	E CAPACITOR		
	C1503	QTE1C06-476Z	E CAPACITOR		
	C1601	QCBB1HK-221Y	C CAPACITOR	220PF 10% 50V	
	C1602	QDYB1CM-103Y	C CAPACITOR		
	C1603	EETC1CM-107ZJC	E CAPACITOR		
	C1703	QDGB1HK-103Y	C CAPACITOR		
	C1704	QDGB1HK-102Y	C CAPACITOR		
	C1705	QDGB1HK-102Y	C CAPACITOR		
	C1706	QENC1HM-106Z	NP E CAPACITOR	10MF 20% 50V	
	C1707	QENC1HM-106Z	NP E.CAPACITOR	10MF 20% 50V	
	C1709	QCBB1HK-101Y	C CAPACITOR	100PF 10% 50V	
	C1710	QCBB1HK-181Y	C CAPACITOR	180PF 10% 50V	
	C1801	QDYB1CM-103Y	C CAPACITOR		
	C1802	EETC1EM-476ZJC	E CAPACITOR		
	C1803	QCBB1HK-221Y	C CAPACITOR	220PF 10% 50V	
	C1901	QCBB1HK-221Y	C CAPACITOR	220PF 10% 50V	
	C1902	QCBB1HK-221Y	C CAPACITOR	220PF 10% 50V	
	C1903	QDYB1CM-103Y	C CAPACITOR		
	C1904	EETC1EM-476ZJC	E CAPACITOR		
	C1905	QDYB1CM-103Y	C CAPACITOR		
	C1907	EETC1CM-106ZJC	E CAPACITOR		
	C2901	QER41AM-107	E CAPACITOR	100MF 20% 10V	
	C2902	QDGB1HK-102Y	C CAPACITOR		
	C2904	QCBB1HK-223Y	C CAPACITOR	.022MF 10% 50V	
△	D1001	1N4003S-T5	SI DIODE		
△	D1002	1N4003S-T5	SI DIODE		
△	D1003	1N4003S-T5	SI DIODE		
△	D1004	1N4003S-T5	SI DIODE		
△	D1005	1N4003S-T5	SI DIODE		
△	D1012	6A10E2	SI DIODE		
△	D1013	6A10E2	SI DIODE		
△	D1014	6A10E2	SI DIODE		
△	D1015	6A10E2	SI DIODE		
	D1023	1SS133-T2	SI DIODE		
	D1024	1SS133-T2	SI DIODE		
	D1025	MTZJ4.3B-T2	ZENER DIODE		
	D1026	1SS133-T2	SI DIODE		
	D1027	1SS133-T2	SI DIODE		
	D1301	MTZJ11A-T2	Z.DIODE		
	D1401	MTZJ3.6B-T2	S.B.DIODE		
	D1402	MTZJ10A-T2	ZENER DIODE		
	D1501	MTZJ6.2C-T2	Z DIODE		
	D1601	1SS133-T2	SI DIODE		
	D1602	MTZJ5.6B-T2	ZENER DIODE		
	D1603	MTZJ18C-T2	Z.DIODE		
	D1604	MTZJ5.6C-T2	ZENER DIODE		
	D1702	1SS133-T2	SI DIODE		
	D1801	MTZJ7.5C-T2	ZENER DIODE		
	D1901	1SS133-T2	SI DIODE		
	D1902	MTZJ5.6C-T2	ZENER DIODE		
	D1903	MTZJ10A-T2	ZENER DIODE		
	D1904	1SS133-T2	SI DIODE		
	D2601	1SS133-T2	SI DIODE		
	D2602	SPR-39MVWF	LED		
	D2902	MTZJ7.5C-T2	ZENER DIODE		
	D2903	MTZJ7.5C-T2	ZENER DIODE		
	D2906	MTZJ7.5C-T2	ZENER DIODE		

■ Electrical parts list (Main AMP. board)

Block No. 03

△	Item	Parts number	Parts name	Remarks	Area
	D2907	MTZJ7.5C-T2	ZENER DIODE		
	D2910	MTZJ7.5C-T2	ZENER DIODE		
	D2911	MTZJ7.5C-T2	ZENER DIODE		
	D2913	QUY150-050Y	BUS WIRE		
	D2914	QUY150-050Y	BUS WIRE		
	D2915	QUY150-050Y	BUS WIRE		
	D2916	QUY150-050Y	BUS WIRE		
	D2917	QUY150-050Y	BUS WIRE		
	D2918	QUY150-050Y	BUS WIRE		
	FW907	QUM025-14DGZ3	FLAT WIRE	TO FMB	
△	IC801	LA4628	IC		
	IC802	NJM4580L	IC		
	IC901	GP1U271X	RM RECIVER		
	J1001	QNB0099-001	SPK TERMINAL		
	J1002	QNS0170-001	HEADPHONE JACK		
	J1003	QNC0006-001	AC SOCKET		
	K1001	QQR0621-001Z	FERRITE BEADS		
	K1003	QQR0621-001Z	FERRITE BEADS		
	K1004	QQR0621-001Z	FERRITE BEADS		
	K1006	QQR0621-001Z	FERRITE BEADS		
	K1007	QQR0621-001Z	FERRITE BEADS		
	K1009	QQR0779-001Z	INDUCTOR		
	K1010	QQR0779-001Z	INDUCTOR		
	L1003	QQL231K-470Y	INDUCTOR		
	L1004	QQL231K-470Y	INDUCTOR		
	L1005	QQL231K-470Y	INDUCTOR		
	L1006	QQR1145-001	LINE FILTER	EMC FILTER	
	L1101	QQR0797-001	INDUCTOR		
	L1201	QQR0797-001	INDUCTOR		
	PP801	QZW0038-001	WIRE CLAMP		
	PP802	QZW0038-001	WIRE CLAMP		
	PP804	QZW0038-001	WIRE CLAMP		
	Q1023	KRA101M-T	TRANSISTOR		
	Q1101	KTC3199/GL/-T	TRANSISTOR		
	Q1102	2SC3576-JVC-T	TRANSISTOR		
	Q1201	KTC3199/GL/-T	TRANSISTOR		
	Q1202	2SC3576-JVC-T	TRANSISTOR		
	Q1301	2SC2001/LK/-T	TRANSISTOR		
	Q1401	2SB562/BC/-T	TRANSISTOR		
	Q1402	KTC3199/GL/-T	TRANSISTOR		
△	Q1501	KTB772/Y/	TRANSISTOR		
	Q1502	2SC3576-JVC-T	TRANSISTOR		
△	Q1601	KTB772/Y/	TRANSISTOR		
	Q1602	2SA1175/FE/-T	TRANSISTOR		
	Q1603	DTC144TSA-T	D.TRANSISTOR		
	Q1604	DTA144TSA-T	D.TRANSISTOR		
	Q1605	KTC3199/GL/-T	TRANSISTOR		
	Q1606	KTC3199/GL/-T	TRANSISTOR		
	Q1607	DTC143TSA-T	TRANSISTOR		
	Q1701	DTA144WSA-T	D.TRANSISTOR		
	Q1702	DTA144WSA-T	D.TRANSISTOR		
	Q1703	DTA144WSA-T	D.TRANSISTOR		
	Q1704	DTA144WSA-T	D.TRANSISTOR		
	Q1705	DTC144WSA-T	DIGI TRANSISTOR		
△	Q1801	KTB772/Y/	TRANSISTOR		
	Q1802	KTC3199/GL/-T	TRANSISTOR		
	Q1803	KTC3199/GL/-T	TRANSISTOR		
	Q1901	KTA1046/Y/	TRANSISTOR		
	Q1902	KTA1267/YG/-T	TRANSISTOR		
	Q1903	KRC114M-T	TRANSISTOR		
	Q1904	DTA144TSA-T	D.TRANSISTOR		
	Q1905	KTC3199/GL/-T	TRANSISTOR		
	Q1906	KTC3199/GL/-T	TRANSISTOR		

△	Item	Parts number	Parts name	Remarks	Area
	Q1908	2SA1038S/SE/-T	TRANSISTOR		
	Q1909	2SA1038S/SE/-T	TRANSISTOR		
	Q1910	DTC144ESA-T	D TRANSISTOR		
	Q2601	DTC114ESA-T	DIGITAL.TR TAPE		
△	R1022	QRZ9006-4R7X	F RESISTOR	4.7 1/0W	
	R1049	QRE141J-223Y	C RESISTOR	22K 5% 1/4W	
	R1050	QRE141J-513Y	C RESISTOR	51K 5% 1/4W	
	R1051	QRE141J-154Y	C RESISTOR	150K 5% 1/4W	
	R1054	QRE141J-124Y	C RESISTOR	120K 5% 1/4W	
	R1059	QRE141J-152Y	C RESISTOR	1.5K 5% 1/4W	
	R1060	QRE141J-101Y	C RESISTOR	100 5% 1/4W	
	R1065	QRE141J-224Y	C RESISTOR	220K 5% 1/4W	
	R1066	QRE141J-224Y	C RESISTOR	220K 5% 1/4W	
	R1077	QRE141J-103Y	C RESISTOR	10K 5% 1/4W	
	R1086	QRE141J-682Y	C RESISTOR	6.8K 5% 1/4W	
	R1087	QRE141J-682Y	C RESISTOR	6.8K 5% 1/4W	
	R1090	QRE141J-151Y	C RESISTOR	150 5% 1/4W	
	R1091	QRE141J-151Y	C RESISTOR	150 5% 1/4W	
	R1101	QRE141J-182Y	C RESISTOR	1.8K 5% 1/4W	
	R1102	QRE141J-472Y	C RESISTOR	4.7K 5% 1/4W	
	R1103	QRE141J-222Y	C RESISTOR	2.2K 5% 1/4W	
	R1104	QRE141J-222Y	C RESISTOR	2.2K 5% 1/4W	
	R1105	QRE141J-153Y	C RESISTOR	15K 5% 1/4W	
	R1106	QRE141J-103Y	C RESISTOR	10K 5% 1/4W	
	R1107	QRE141J-153Y	C RESISTOR	15K 5% 1/4W	
	R1108	QRE141J-392Y	C RESISTOR	3.9K 5% 1/4W	
	R1109	QRE141J-472Y	C RESISTOR	4.7K 5% 1/4W	
	R1110	QRE141J-472Y	C RESISTOR	4.7K 5% 1/4W	
	R1111	QRE141J-2R2Y	C RESISTOR	2.2 5% 1/4W	
	R1112	QRE141J-2R2Y	C RESISTOR	2.2 5% 1/4W	
	R1113	QRE141J-223Y	C RESISTOR	22K 5% 1/4W	
	R1114	QRE141J-223Y	C RESISTOR	22K 5% 1/4W	
	R1115	QRE141J-471Y	C RESISTOR	470 5% 1/4W	
	R1201	QRE141J-182Y	C RESISTOR	1.8K 5% 1/4W	
	R1202	QRE141J-472Y	C RESISTOR	4.7K 5% 1/4W	
	R1203	QRE141J-222Y	C RESISTOR	2.2K 5% 1/4W	
	R1204	QRE141J-222Y	C RESISTOR	2.2K 5% 1/4W	
	R1205	QRE141J-153Y	C RESISTOR	15K 5% 1/4W	
	R1206	QRE141J-103Y	C RESISTOR	10K 5% 1/4W	
	R1207	QRE141J-153Y	C RESISTOR	15K 5% 1/4W	
	R1208	QRE141J-392Y	C RESISTOR	3.9K 5% 1/4W	
	R1209	QRE141J-472Y	C RESISTOR	4.7K 5% 1/4W	
	R1210	QRE141J-472Y	C RESISTOR	4.7K 5% 1/4W	
	R1211	QRE141J-2R2Y	C RESISTOR	2.2 5% 1/4W	
	R1212	QRE141J-2R2Y	C RESISTOR	2.2 5% 1/4W	
	R1213	QRE141J-223Y	C RESISTOR	22K 5% 1/4W	
	R1214	QRE141J-223Y	C RESISTOR	22K 5% 1/4W	
	R1215	QRE141J-471Y	C RESISTOR	470 5% 1/4W	
	R1301	QRE141J-561Y	C RESISTOR	560 5% 1/4W	
	R1401	QRE141J-102Y	C RESISTOR	1.0K 5% 1/4W	
	R1402	QRE141J-103Y	C RESISTOR	10K 5% 1/4W	
	R1403	QRE141J-103Y	C RESISTOR	10K 5% 1/4W	
△	R1404	QRZ9006-4R7X	F RESISTOR	4.7 1/0W	
	R1501	QRE141J-101Y	C RESISTOR	100 5% 1/4W	
	R1502	QRE141J-103Y	C RESISTOR	10K 5% 1/4W	
	R1503	QRE141J-103Y	C RESISTOR	10K 5% 1/4W	
	R1601	QRE141J-1R0Y	C RESISTOR	1.0 5% 1/4W	
	R1602	QRE141J-1R0Y	C RESISTOR	1.0 5% 1/4W	
	R1603	QRE141J-1R0Y	C RESISTOR	1.0 5% 1/4W	
	R1604	QRE141J-391Y	C RESISTOR	390 5% 1/4W	
	R1605	QRE141J-911Y	C RESISTOR	910 5% 1/4W	
	R1606	QRE141J-332Y	C RESISTOR	3.3K 5% 1/4W	
	R1607	QRE141J-102Y	C RESISTOR	1.0K 5% 1/4W	



■ Electrical parts list (Main AMP. board)

Block No. 03

△	Item	Parts number	Parts name	Remarks	Area
	R1608	QRE141J-102Y	C RESISTOR	1.0K 5% 1/4W	
	R1609	QRE141J-181Y	C RESISTOR	180 5% 1/4W	
	R1610	QRE141J-472Y	C RESISTOR	4.7K 5% 1/4W	
	R1611	QRE141J-471Y	C RESISTOR	470 5% 1/4W	
	R1612	QRE141J-471Y	C RESISTOR	470 5% 1/4W	
	R1613	QRE141J-272Y	C RESISTOR	2.7K 5% 1/4W	
	R1614	QRE141J-681Y	C RESISTOR	680 5% 1/4W	
	R1615	QRE141J-472Y	C RESISTOR	4.7K 5% 1/4W	
	R1616	QRE141J-622Y	C RESISTOR	6.2K 5% 1/4W	
	R1617	QRE141J-103Y	C RESISTOR	10K 5% 1/4W	
	R1702	QRE141J-562Y	C RESISTOR	5.6K 5% 1/4W	
	R1703	QRE141J-562Y	C RESISTOR	5.6K 5% 1/4W	
	R1704	QRE141J-562Y	C RESISTOR	5.6K 5% 1/4W	
	R1705	QRE141J-562Y	C RESISTOR	5.6K 5% 1/4W	
	R1801	QRE141J-681Y	C RESISTOR	680 5% 1/4W	
	R1802	QRE141J-681Y	C RESISTOR	680 5% 1/4W	
	R1803	QRE141J-681Y	C RESISTOR	680 5% 1/4W	
	R1804	QRE141J-681Y	C RESISTOR	680 5% 1/4W	
	R1805	QRE141J-472Y	C RESISTOR	4.7K 5% 1/4W	
	R1806	QRE141J-272Y	C RESISTOR	2.7K 5% 1/4W	
	R1807	QRE141J-681Y	C RESISTOR	680 5% 1/4W	
	R1901	QRE141J-152Y	C RESISTOR	1.5K 5% 1/4W	
	R1902	QRE141J-471Y	C RESISTOR	470 5% 1/4W	
	R1903	QRE141J-1R2Y	C RESISTOR	1.2 5% 1/4W	
	R1904	QRE141J-1R2Y	C RESISTOR	1.2 5% 1/4W	
	R1905	QRE141J-1R2Y	C RESISTOR	1.2 5% 1/4W	
	R1906	QRE141J-1R2Y	C RESISTOR	1.2 5% 1/4W	
	R1907	QRE141J-103Y	C RESISTOR	10K 5% 1/4W	
	R1908	QRE141J-223Y	C RESISTOR	22K 5% 1/4W	
	R1909	QRE141J-752Y	C RESISTOR	7.5K 5% 1/4W	
	R1910	QRE141J-152Y	C RESISTOR	1.5K 5% 1/4W	
	R1911	QRE141J-102Y	C RESISTOR	1.0K 5% 1/4W	
	R1912	QRE141J-681Y	C RESISTOR	680 5% 1/4W	
	R1913	QRE141J-681Y	C RESISTOR	680 5% 1/4W	
	R1914	QRE141J-681Y	C RESISTOR	680 5% 1/4W	
	R1915	QRE141J-681Y	C RESISTOR	680 5% 1/4W	
	R1916	QRE141J-681Y	C RESISTOR	680 5% 1/4W	
	R1917	QRE141J-471Y	C RESISTOR	470 5% 1/4W	
	R1918	QRE141J-682Y	C RESISTOR	6.8K 5% 1/4W	
	R1919	QRE141J-472Y	C RESISTOR	4.7K 5% 1/4W	
	R1920	QRE141J-472Y	C RESISTOR	4.7K 5% 1/4W	
	R1921	QRE141J-222Y	C RESISTOR	2.2K 5% 1/4W	
	R1923	QRE141J-512Y	C RESISTOR	5.1K 5% 1/4W	
	R1924	QRE141J-102Y	C RESISTOR	1.0K 5% 1/4W	
	R1925	QRE141J-103Y	C RESISTOR	10K 5% 1/4W	
	R1926	QRE141J-153Y	C RESISTOR	15K 5% 1/4W	
	R2601	QRE141J-102Y	C RESISTOR	1.0K 5% 1/4W	
	R2602	QRE141J-102Y	C RESISTOR	1.0K 5% 1/4W	
	R2603	QRE141J-122Y	C RESISTOR	1.2K 5% 1/4W	
	R2604	QRE141J-152Y	C RESISTOR	1.5K 5% 1/4W	
	R2605	QRE141J-222Y	C RESISTOR	2.2K 5% 1/4W	
	R2606	QRE141J-272Y	C RESISTOR	2.7K 5% 1/4W	
	R2607	QRE141J-392Y	C RESISTOR	3.9K 5% 1/4W	
	R2608	QRE141J-102Y	C RESISTOR	1.0K 5% 1/4W	
	R2609	QRE141J-102Y	C RESISTOR	1.0K 5% 1/4W	
	R2610	QRE141J-122Y	C RESISTOR	1.2K 5% 1/4W	
	R2611	QRE141J-152Y	C RESISTOR	1.5K 5% 1/4W	
	R2612	QRE141J-222Y	C RESISTOR	2.2K 5% 1/4W	
	R2613	QRE141J-272Y	C RESISTOR	2.7K 5% 1/4W	
	R2614	QRE141J-161Y	C RESISTOR	160 5% 1/4W	
	R2615	QRE141J-470Y	C RESISTOR	47 5% 1/4W	
	R2901	QRE141J-681Y	C RESISTOR	680 5% 1/4W	
	R2911	QRE141J-221Y	C RESISTOR	220 5% 1/4W	

△	Item	Parts number	Parts name	Remarks	Area
	R2912	QRE141J-221Y	C RESISTOR	220 5% 1/4W	
	R2913	QRE141J-221Y	C RESISTOR	220 5% 1/4W	
	R3001	QRE141J-301Y	C RESISTOR	300 5% 1/4W	
	S1001	QSW0740-001	VOLTAGE SWITCH		UB,US,UT,UJ
	S2601	QSW0674-001Z	TACT SWITCH	MD OPEN/CLOSE	
	S2602	QSW0674-001Z	TACT SWITCH	MD	
	S2603	QSW0674-001Z	TACT SWITCH	CD	
	S2604	QSW0674-001Z	TACT SWITCH	TAPE	
	S2605	QSW0674-001Z	TACT SWITCH	FM/AM	
	S2606	QSW0674-001Z	TACT SWITCH	CD OPEN/CLOSE	
	S2607	QSW0674-001Z	TACT SWITCH	VOLUME +	
	S2608	QSW0674-001Z	TACT SWITCH	VOLUME -	
	S2609	QSW0674-001Z	TACT SWITCH	POWER	
	S2610	QSW0674-001Z	TACT SWITCH	COLOR	
	S2611	QSW0674-001Z	TACT SWITCH	AUX	
	S2612	QSW0674-001Z	TACT SWITCH	REC MODE	
	S2613	QSW0674-001Z	TACT SWITCH	REC	
	S2614	QSW0674-001Z	TACT SWITCH	REVERSE	
	S2615	QSW0674-001Z	TACT SWITCH	FORWARD	
	S2616	QSW0674-001Z	TACT SWITCH	STOP	
	S2901	SG-105F3-BB,C	PHOTO SENSER	UP DETECT	
	S2902	SG-105F3-BB,C	PHOTO SENSER	CENTER DETECT	
	S2903	SG-105F3-BB,C	PHOTO SENSER	DOWN DETECT	
	T1002	QAD0015-103Z	THERMISTOR		
	W 802	RT-01T-1.3B	PIN SOCKET		
	W1001	QJK017-053200	WIRE		
	Z1001	QNG0020-001Z	FUSE CLIP		
	Z1002	QNG0020-001Z	FUSE CLIP		
	Z1003	QNG0020-001Z	FUSE CLIP		
	Z1004	QNG0020-001Z	FUSE CLIP		
	Z1005	QNG0020-001Z	FUSE CLIP		
	Z1006	QNG0020-001Z	FUSE CLIP		

■ Electrical parts list (Tuner board)

Block No. 04

△	Item	Parts number	Parts name	Remarks	Area
C	1	NCB21HK-223X	C CAPACITOR		
C	2	NCB21HK-103X	C CAPACITOR		
C	3	EETC1CM-106ZJC	E CAPACITOR		
C	4	NCB21HK-103X	C CAPACITOR		
C	6	NCB21HK-102X	C CAPACITOR		
C	7	NCB21HK-102X	C CAPACITOR		
C	8	NCB21HK-102X	C CAPACITOR		
C	10	NRSA02J-0R0X	MG RESISTOR		
C	11	NCB21HK-104X	C CAPACITOR		
C	12	NCB21HK-473X	C CAPACITOR		
C	13	NCS21HJ-120X	C CAPACITOR		
C	14	EEKC1AM-107ZJC	E CAPACITOR		
C	15	NCS21HJ-120X	C CAPACITOR		
C	16	NCS21HJ-120X	C CAPACITOR		
C	17	NCB21HK-392X	C CAPACITOR		
C	18	QEQ61HM-474Z	N.P.E.CAPACITOR	.47MF 20% 50V	
C	19	NCB21HK-473X	C CAPACITOR		
C	20	NCB21HK-102X	C CAPACITOR		
C	21	NCB21HK-223X	C CAPACITOR		
C	22	NCS21HJ-151X	C CAPACITOR		
C	23	NCS21HJ-151X	C CAPACITOR		
C	24	NCS21HJ-151X	C CAPACITOR		
C	25	EEKC1AM-107ZJC	E CAPACITOR		
C	26	NCB21HK-102X	C CAPACITOR		
C	27	NCB21HK-102X	C CAPACITOR		
C	30	EEKC1CM-107ZJC	E CAPACITOR		
C	31	EEKC1CM-226ZJC	E CAPACITOR		
C	32	NCB21HK-473X	C CAPACITOR		
C	33	NCB21HK-473X	C CAPACITOR		
C	34	NCB21HK-223X	C CAPACITOR		
C	35	NCB21HK-473X	C CAPACITOR		
C	36	EEKC1HM-105ZJC	E CAPACITOR		
C	37	EEKC1HM-105ZJC	E CAPACITOR		
C	38	EETC1HM-224ZJC	E CAPACITOR		
C	39	EETC1HM-105ZJC	E CAPACITOR		
C	40	QETN1CM-106Z	E CAPACITOR	10MF 20% 16V	
C	41	QETN1CM-106Z	E CAPACITOR	10MF 20% 16V	
C	42	NCB21HK-152X	C CAPACITOR		
C	43	NCB21HK-152X	C CAPACITOR		
C	44	QETN1CM-106Z	E CAPACITOR	10MF 20% 16V	
C	45	QETN1CM-106Z	E CAPACITOR	10MF 20% 16V	
C	46	NCB21HK-273X	C CAPACITOR		
C	47	EETC1HM-105ZJC	E CAPACITOR		
C	48	NCB21HK-222X	C CAPACITOR		
C	49	NCS21HJ-471X	C CAPACITOR		
C	50	EEKC1CM-226ZJC	E CAPACITOR		
C	51	EEKC1HM-105ZJC	E CAPACITOR		
C	52	QFVJ1HJ-274Z	MF CAPACITOR	.27MF 5% 50V	
C	53	EETC1CM-226ZJC	E CAPACITOR		
C	54	NCB21HK-473X	C CAPACITOR		
C	57	NCB21HK-102X	C CAPACITOR		
C	58	NCB21HK-473X	C CAPACITOR		
C	59	NCB21HK-102X	C CAPACITOR		
CF	1	VCF2L3B-105Z	CERAMIC FILTER		
CF	2	VCF2L3B-105Z	CERAMIC FILTER		
CF	3	QAX0610-001Z	C DISCRIMINATOR		
CN	1	QGF1205F1-09	CONNECTOR		
D	1	1SS133-T2	SI DIODE		
D	2	1SS133-T2	SI DIODE		
D	3	1SS133-T2	SI DIODE		
D	4	1SS133-T2	SI DIODE		
D	11	1SS133-T2	SI DIODE		
IC	1	LA1838	IC		

△	Item	Parts number	Parts name	Remarks	Area
IC	2	LC72136N	IC		
J	1	QNB0014-001	ANT TERMINAL		
L	1	QQR0796-002	COIL BLOCK		
Q	1	2SC2814/4-5/-X	TRANSISTOR		
Q	5	DTA114YKA-X	TRANSISTOR		
R	1	QRE141J-560Y	C RESISTOR	56 5% 1/4W	
R	2	NRSA02J-331X	MG RESISTOR		
R	3	NRSA02J-224X	MG RESISTOR		
R	4	NRSA02J-331X	MG RESISTOR		
R	5	NRSA02J-560X	MG RESISTOR		
R	6	NRSA02J-240X	MG RESISTOR		
R	10	NRSA02J-222X	MG RESISTOR		
R	13	NRSA02J-103X	MG RESISTOR		
R	14	NRSA02J-104X	MG RESISTOR		
R	15	NRSA02J-332X	MG RESISTOR		
R	16	NRSA02J-472X	MG RESISTOR		
R	17	QRZ9005-680X	F RESISTOR	68 1/0W	
R	18	NRSA02J-102X	MG RESISTOR		
R	19	NRSA02J-102X	MG RESISTOR		
R	20	NRSA02J-102X	MG RESISTOR		
R	21	NRSA02J-562X	MG RESISTOR		
R	22	NRSA02J-472X	MG RESISTOR		
R	23	NRSA02J-182X	MG RESISTOR		
R	24	NRSA02J-103X	MG RESISTOR		
R	25	NRSA02J-331X	MG RESISTOR		
R	26	NRSA02J-222X	MG RESISTOR		
R	27	NRSA02J-103X	MG RESISTOR		
R	28	NRSA02J-103X	MG RESISTOR		
R	29	NRSA02J-103X	MG RESISTOR		
R	30	NRSA02J-122X	MG RESISTOR		
R	31	NRSA02J-102X	MG RESISTOR		
R	32	NRSA02J-102X	MG RESISTOR		
R	33	NRSA02J-331X	MG RESISTOR		
R	34	NRSA02J-470X	MG RESISTOR		
R	35	NRSA02J-562X	MG RESISTOR		
R	36	NRSA02J-332X	MG RESISTOR		
R	37	NRSA02J-103X	MG RESISTOR		
R	38	NRSA02J-563X	MG RESISTOR		
R	39	NRSA02J-563X	MG RESISTOR		
R	40	NRSA02J-243X	MG RESISTOR		
R	41	NRSA02J-332X	MG RESISTOR		
R	60	NRSA02J-0R0X	MG RESISTOR		
T	1	QQR0793-001	IFT		
TU	1	QAU0161-001	FRONT END		
X	1	QAX0402-001	CRYSTAL		

## ■ Electrical parts list (MD servo board)

Block No. 05

▲	Item	Parts number	Parts name	Remarks	Area	▲	Item	Parts number	Parts name	Remarks	Area
	C 300	NCF31CZ-104X	C CAPACITOR				C 451	NEA70GM-107X	E CAPACITOR		
	C 302	NCF31CZ-104X	C CAPACITOR				C 452	NCF31CZ-104X	C CAPACITOR		
	C 307	NCB31HK-222X	C CAPACITOR				C 453	NCF31CZ-104X	C CAPACITOR		
	C 310	NCB31HK-102X	C CAPACITOR				C 455	NDC32AJ-101X	C CAPACITOR		
	C 311	NCF21CZ-105X	C CAPACITOR				C 480	NEA70JM-476X	E CAPACITOR		
	C 312	NEA70GM-476X	E CAPACITOR				C 481	NCF21CZ-105X	C CAPACITOR		
	C 314	NCB31EK-223X	C CAPACITOR				C 482	NEA70JM-226X	E CAPACITOR		
	C 315	NCB31HK-102X	C CAPACITOR				C 483	NCF31CZ-104X	C CAPACITOR		
	C 316	NCF21CZ-105X	C CAPACITOR				C 484	NEAD1CM-106X	E CAPACITOR		
	C 318	NCB31HK-682X	C CAPACITOR				C 485	NCF31CZ-104X	C CAPACITOR		
	C 319	NCB31CK-333X	C CAPACITOR				C 486	NCF31CZ-104X	C CAPACITOR		
	C 320	NCB21AK-105X	C CAPACITOR				C 487	NCF31CZ-104X	C CAPACITOR		
	C 321	NCB31HK-472X	C CAPACITOR				C 488	NEAD1CM-106X	E CAPACITOR		
	C 322	NCB21AK-105X	C CAPACITOR				C 489	NEAD1VM-475X	E CAPACITOR		
	C 323	NCB31HK-682X	C CAPACITOR				C 490	NCB31CK-103X	C CAPACITOR		
	C 324	NCB21CK-224X	C CAPACITOR				C 491	NCB31HK-222X	C CAPACITOR		
	C 325	NCB31CK-103X	C CAPACITOR				C 492	NCB31HK-222X	C CAPACITOR		
	C 326	NCB31EK-223X	C CAPACITOR				C 493	NCF21CZ-105X	C CAPACITOR		
	C 327	NCB31CK-104X	C CAPACITOR				C 496	NCF21CZ-105X	C CAPACITOR		
	C 328	NCB31CK-104X	C CAPACITOR				C 497	NCF31CZ-104X	C CAPACITOR		
	C 330	NCF31CZ-104X	C CAPACITOR				C 501	NCS31HJ-180X	C CAPACITOR		
	C 333	NCB21CK-154X	C CAPACITOR				C 502	NCS31HJ-180X	C CAPACITOR		
	C 334	NCF31CZ-104X	C CAPACITOR				C 511	NCF31CZ-104X	C CAPACITOR		
	C 340	NCB31EK-223X	C CAPACITOR				C 512	NCF31CZ-104X	C CAPACITOR		
	C 341	NCB31EK-223X	C CAPACITOR				C 515	NCF31CZ-104X	C CAPACITOR		
	C 342	NCF31CZ-104X	C CAPACITOR				C 590	NCS31HJ-101X	C CAPACITOR		
	C 350	NEA70GM-476X	E CAPACITOR				C 591	NCF31CZ-104X	C CAPACITOR		
	C 351	NCF21CZ-105X	C CAPACITOR				CN321	QGF0501F2-21X	CONNECTOR	FOR PICK-UP A'S	
	C 352	NEA70GM-476X	E CAPACITOR				CN407	QGF1006F2-08W	SOCKET	FOR CAM SW	
	C 353	NCF21CZ-105X	C CAPACITOR				CN408	QGF1006F2-09W	CONNECTOR	FOR TRAMECHA PW	
	C 354	NCF21CZ-105X	C CAPACITOR				CN451	QGF1016F2-04W	CONNECTOR	FOR HEAD	
	C 355	NCF31CZ-104X	C CAPACITOR				CN521	QGF1006F2-21W	SOCKET	FOR SYSTEM	
	C 358	NCF31CZ-104X	C CAPACITOR				CN601	QGF1006F2-09W	CONNECTOR		
	C 359	NCF31CZ-104X	C CAPACITOR				D 310	1SS355-X	DIODE	TEMP DET	
	C 361	NCF31CZ-104X	C CAPACITOR				D 451	RB160L-60-X	SB DIODE		
	C 375	NCB31CK-103X	C CAPACITOR				D 452	RB160L-60-X	SB DIODE		
	C 376	NCB21CK-474X	C CAPACITOR				IC310	CXA2523AR	IC	RF	
	C 377	NCS31HJ-471X	C CAPACITOR				IC340	TC7S08F-W	IC	APC PWM BUFFER	
	C 378	NCS31HJ-330X	C CAPACITOR				IC350	CXD2662R	IC		
	C 379	NCB21CK-474X	C CAPACITOR				IC390	HY51V17400CT-60	IC	4M*4 DRAM	
	C 380	NCB31CK-153X	C CAPACITOR				IC400	XC62ER3602M-X	IC		
	C 390	NCB10JM-106X	C CAPACITOR				IC410	M63008FP-X	IC	BTL DRIVER	
	C 400	NEAD1CM-226X	E CAPACITOR				IC450	BD7910FV-X	IC	DRIVER	
	C 401	NEAD0JM-107X	E CAPACITOR				IC480	AK4519VF-X	IC		
	C 402	NCB31HK-331X	C CAPACITOR				IC485	TK11140SC-W	IC		
	C 403	NEAD0GM-476X	E CAPACITOR				IC500	HD6432345A15FA	IC(MCU)		
	C 407	NCS31HJ-101X	C CAPACITOR				IC590	AK93C65AF-X	IC	256*16BIT EEPROM	
	C 408	NCS31HJ-101X	C CAPACITOR				K 346	NQR0360-001X	FERRITE BEADS		
	C 409	NCB31CK-104X	C CAPACITOR				K 353	NQR0389-003X	FERRITE BEADS		
	C 411	NCF21CZ-105X	C CAPACITOR				K 491	NQR0022-005X	FERRITE BEADS		
	C 412	NCF31CZ-104X	C CAPACITOR				K 492	NQR0022-005X	FERRITE BEADS		
	C 415	NCB31CK-103X	C CAPACITOR				K 495	NQR0022-005X	FERRITE BEADS		
	C 421	NCB31HK-561X	C CAPACITOR				K 496	NQR0022-005X	FERRITE BEADS		
	C 423	NCB31HK-561X	C CAPACITOR				K 505	NQR0389-003X	FERRITE BEADS		
	C 425	NCB31HK-561X	C CAPACITOR				K 521	NQR0354-001X	FERRITE BEADS		
	C 427	NCB31HK-561X	C CAPACITOR				K 522	NQR0354-001X	FERRITE BEADS		
	C 429	NCB31HK-392X	C CAPACITOR				K 523	NQR0389-003X	FERRITE BEADS		
	C 431	NCB31HK-392X	C CAPACITOR				K 524	NQR0389-003X	FERRITE BEADS		
	C 433	NCB31HK-562X	C CAPACITOR				L 351	NQL38DK-100X	INDUCTOR		
	C 435	NCB31HK-562X	C CAPACITOR				L 352	NQL38DK-100X	INDUCTOR		
	C 437	NCB31HK-103X	C CAPACITOR				L 525	NQL274M-1R5X	INDUCTOR		
	C 439	NCB31HK-103X	C CAPACITOR				L 526	NQL274M-1R5X	INDUCTOR		
	C 450	NEA71CM-107X	E CAPACITOR				Q 330	2SA1362/G/-X	TRANSISTOR		

■ Electrical parts list (MD servo board)

Block No. 05

△	Item	Parts number	Parts name	Remarks	Area
	Q 331	DTA114EKA-X	DIGITAL.TRANSIS		
	Q 332	DTA113ZKA-X	TRANSISTOR		
	Q 333	DTA113ZKA-X	TRANSISTOR		
	Q 400	2SA1363/EF/-X	TRANSISTOR		
	Q 401	2SA1363/EF/-X	TRANSISTOR		
	Q 410	DTC114EKA-X	TRANSISTOR		
	Q 411	DTC114EKA-X	TRANSISTOR		
	R 300	NRSA63J-0R0X	MG RESISTOR		
	R 301	NRS181J-0R0X	MG RESISTOR		
	R 302	NRSA63J-0R0X	MG RESISTOR		
	R 305	NRSA63J-222X	MG RESISTOR		
	R 306	NRSA63J-474X	MG RESISTOR		
	R 309	NRSA63J-474X	MG RESISTOR		
	R 310	NRSA63J-331X	MG RESISTOR		
	R 311	NRSA63J-183X	MG RESISTOR		
	R 312	NRSA63J-103X	MG RESISTOR		
	R 313	NRSA63J-104X	MG RESISTOR		
	R 314	NRSA63J-133X	MG RESISTOR		
	R 315	NRSA63J-243X	MG RESISTOR		
	R 316	NRSA63J-104X	MG RESISTOR		
	R 317	NRSA63J-103X	MG RESISTOR		
	R 320	NRSA63J-563X	MG RESISTOR		
	R 321	NRSA63J-331X	MG RESISTOR		
	R 322	NRSA63J-331X	MG RESISTOR		
	R 323	NRSA63J-331X	MG RESISTOR		
	R 324	NRSA63J-102X	MG RESISTOR		
	R 325	NRSA63J-472X	MG RESISTOR		
	R 326	NRSA63J-331X	MG RESISTOR		
	R 327	NRSA63J-331X	MG RESISTOR		
	R 328	NRSA63J-101X	MG RESISTOR		
	R 330	NRSA63J-8R2X	MG RESISTOR		
	R 331	NRSA63J-270X	MG RESISTOR		
	R 332	NRSA63J-473X	MG RESISTOR		
	R 333	NRSA63J-473X	MG RESISTOR		
	R 334	NRSA63J-473X	MG RESISTOR		
	R 335	NRSA63J-473X	MG RESISTOR		
	R 336	NRSA63J-104X	MG RESISTOR		
	R 337	NRSA63J-1R0X	MG RESISTOR		
	R 338	NRSA63J-4R7X	MG RESISTOR		
	R 339	NRSA63J-473X	MG RESISTOR		
	R 340	NRSA63J-222X	MG RESISTOR		
	R 341	NRSA63J-222X	MG RESISTOR		
	R 342	NRSA63J-222X	MG RESISTOR		
	R 343	NRSA63J-102X	MG RESISTOR		
	R 354	NRSA63D-103X	MG RESISTER		
	R 355	NRSA63D-103X	MG RESISTER		
	R 356	NRSA63J-102X	MG RESISTOR		
	R 361	NRSA63J-102X	MG RESISTOR		
	R 362	NRSA63J-102X	MG RESISTOR		
	R 363	NRSA63J-102X	MG RESISTOR		
	R 364	NRSA63J-102X	MG RESISTOR		
	R 365	NRSA63J-102X	MG RESISTOR		
	R 366	NRSA63J-102X	MG RESISTOR		
	R 367	NRSA63J-102X	MG RESISTOR		
	R 368	NRSA63J-102X	MG RESISTOR		
	R 369	NRSA63J-102X	MG RESISTOR		
	R 370	NRSA63J-104X	MG RESISTOR		
	R 371	NRSA63J-103X	MG RESISTOR		
	R 372	NRSA63J-103X	MG RESISTOR		
	R 375	NRSA63J-103X	MG RESISTOR		
	R 376	NRSA63J-104X	MG RESISTOR		
	R 377	NRSA63J-684X	MG RESISTOR		
	R 378	NRSA63J-332X	MG RESISTOR		

△	Item	Parts number	Parts name	Remarks	Area
	R 379	NRSA63J-102X	MG RESISTOR		
	R 380	NRSA63J-105X	MG RESISTOR		
	R 381	NRSA63J-102X	MG RESISTOR		
	R 382	NRSA63J-151X	MG RESISTOR		
	R 387	NRSA63J-331X	MG RESISTOR		
	R 389	NRSA63J-331X	MG RESISTOR		
	R 390	NRSA63J-331X	MG RESISTOR		
	R 391	NRSA63J-561X	MG RESISTOR		
	R 392	NRSA63J-102X	MG RESISTOR		
	R 393	NRSA63J-102X	MG RESISTOR		
	R 394	NRSA63J-102X	MG RESISTOR		
	R 395	NRSA63J-102X	MG RESISTOR		
	R 396	NRSA63J-331X	MG RESISTOR		
	R 397	NRSA63J-331X	MG RESISTOR		
	R 398	NRSA63J-331X	MG RESISTOR		
	R 399	NRSA63J-331X	MG RESISTOR		
	R 401	NRSA63D-153X	MG RESISTOR		
	R 402	NRSA63D-562X	MG RESISTER		
	R 403	NRSA63D-471X	MG RESISTER		
	R 404	NRSA63D-333X	MG RESISTER		
	R 420	NRSA63D-223X	RESISTOR		
	R 421	NRSA63D-103X	MG RESISTER		
	R 422	NRSA63D-223X	MG RESISTER		
	R 423	NRSA63D-103X	MG RESISTER		
	R 424	NRSA63D-223X	MG RESISTER		
	R 425	NRSA63D-103X	MG RESISTER		
	R 426	NRSA63D-223X	MG RESISTER		
	R 427	NRSA63D-103X	MG RESISTER		
	R 428	NRSA63D-153X	MG RESISTOR		
	R 429	NRSA63D-392X	MG RESISTER		
	R 430	NRSA63D-153X	MG RESISTOR		
	R 431	NRSA63D-392X	MG RESISTER		
	R 432	NRSA63D-123X	MG RESISTOR		
	R 433	NRSA63D-822X	MG RESISTER		
	R 434	NRSA63D-123X	MG RESISTOR		
	R 435	NRSA63D-822X	MG RESISTER		
	R 436	NRSA63J-223X	MG RESISTOR		
	R 437	NRSA63J-302X	MG RESISTOR		
	R 438	NRSA63J-223X	MG RESISTOR		
	R 439	NRSA63J-302X	MG RESISTOR		
	R 440	NRSA63D-103X	MG RESISTER		
	R 441	NRSA63D-103X	MG RESISTER		
	R 451	NRSA63J-473X	MG RESISTOR		
	R 452	NRSA63J-563X	MG RESISTOR		
	R 453	NRSA63J-1R0X	MG RESISTOR		
	R 454	NRSA63J-1R0X	MG RESISTOR		
	R 455	NRSA63J-223X	MG RESISTOR		
	R 456	NAD0006-103X	THERMISTOR		
	R 481	NRSA63J-100X	MG RESISTOR		
	R 483	NRSA63J-0R0X	MG RESISTOR		
	R 491	NRSA63J-471X	MG RESISTOR		
	R 492	NRSA63J-471X	MG RESISTOR		
	R 495	NRSA63J-471X	MG RESISTOR		
	R 496	NRSA63J-471X	MG RESISTOR		
	R 497	NRSA63J-1R0X	MG RESISTOR		
	R 502	NRSA63J-332X	MG RESISTOR		
	R 503	NRSA63J-103X	MG RESISTOR		
	R 504	NRSA63J-333X	MG RESISTOR		
	R 506	NRSA63J-473X	MG RESISTOR		
	R 509	NRSA63J-104X	MG RESISTOR		
	R 510	NRSA63J-102X	MG RESISTOR		
	R 511	NRSA63J-102X	MG RESISTOR		
	R 512	NRSA63J-102X	MG RESISTOR		

## ■ Electrical parts list (MD servo board)

Block No. 05

△	Item	Parts number	Parts name	Remarks	Area
	R 513	NRSA63J-102X	MG RESISTOR		
	R 514	NRSA63J-102X	MG RESISTOR		
	R 515	NRSA63J-102X	MG RESISTOR		
	R 516	NRSA63J-102X	MG RESISTOR		
	R 517	NRSA63J-104X	MG RESISTOR		
	R 518	NRSA63J-102X	MG RESISTOR		
	R 519	NRSA63J-102X	MG RESISTOR		
	R 520	NRSA63J-102X	MG RESISTOR		
	R 521	NRSA63J-102X	MG RESISTOR		
	R 522	NRSA63J-222X	MG RESISTOR		
	R 523	NRSA63J-102X	MG RESISTOR		
	R 524	NRSA63J-102X	MG RESISTOR		
	R 525	NRSA63J-102X	MG RESISTOR		
	R 531	NRSA63J-103X	MG RESISTOR		
	R 532	NRSA63J-103X	MG RESISTOR		
	R 533	NRSA63J-103X	MG RESISTOR		
	R 534	NRSA63J-103X	MG RESISTOR		
	R 535	NRSA63J-103X	MG RESISTOR		
	R 536	NRSA63J-103X	MG RESISTOR		
	R 537	NRSA63J-103X	MG RESISTOR		
	R 538	NRSA63J-473X	MG RESISTOR		
	R 540	NRSA63J-473X	MG RESISTOR		
	R 541	NRSA63J-473X	MG RESISTOR		
	R 545	NRSA63J-0R0X	MG RESISTOR		
	R 551	NRSA63J-104X	MG RESISTOR		
	R 552	NRSA63J-104X	MG RESISTOR		
	R 554	NRSA63J-104X	MG RESISTOR		
	R 555	NRSA63J-102X	MG RESISTOR		
	R 556	NRSA63J-102X	MG RESISTOR		
	R 557	NRSA63J-102X	MG RESISTOR		
	R 558	NRSA63J-102X	MG RESISTOR		
	R 563	NRSA63J-102X	MG RESISTOR		
	R 564	NRSA63J-102X	MG RESISTOR		
	R 565	NRSA63J-102X	MG RESISTOR		
	R 566	NRSA63J-102X	MG RESISTOR		
	R 567	NRSA63J-102X	MG RESISTOR		
	R 568	NRSA63J-102X	MG RESISTOR		
	R 569	NRSA63J-102X	MG RESISTOR		
	R 592	NRSA63J-104X	MG RESISTOR		
	R 593	NRSA63J-103X	MG RESISTOR		
	S 601	NSW0057-001X	2-SWITCH		
	S 602	NSW0007-001X	PUSH SWITCH		
	X 350	NAX0355-001X	CRYSTAL	90.3168MHZ	
	X 500	NAX0361-002X	CRYSTAL	10MHZ 30PPM	

## ■ Electrical parts list (MD cam switch board)

Block No. 06

△	Item	Parts number	Parts name	Remarks	Area
	CN611	QGF1016F3-08	CONNECTOR		
	CN612	QGA1501F1-02	CONNECTOR		
	S 611	QSW0848-001	CAM SWITCH		

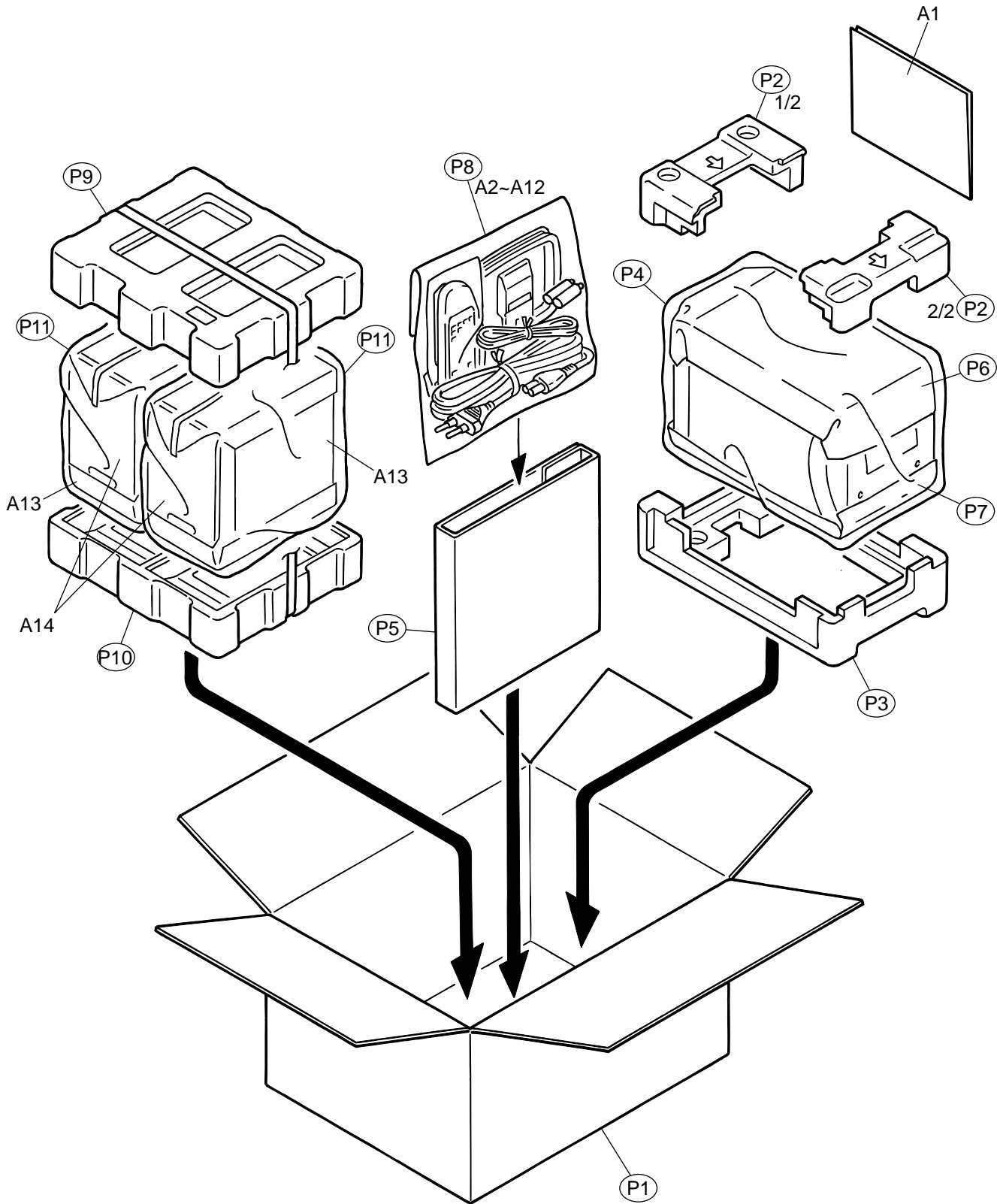
# Packing materials and accessories parts list

Block No. 

M	5	M	M
---	---	---	---

Block No. 

M	6	M	M
---	---	---	---



**Parts list (Packing)**

Block No. M5MM

△	Item	Parts number	Parts name	Q'ty	Description	Area
	P 1	GV20096-002A	PACKING CASE	1		
	P 2	GV10053-002A	TOP CUSHION	1		
	P 3	GV10054-002A	BOTTOM CUSHION	1		
	P 4	QPC05005015P	POLY BAG	1		
	P 5	GV20088-002A	PACKING PAD	1		
	P 6	GV40168-002A	SHEET	1	PACKING TO F.PA	
	P 7	GV40169-001A	PROTECT PAPER	1		
	P 8	QPC02503515P	POLY BAG	2		
	P 9	8000042701	TOP CUSHION	1	FOR SPEAKER	
	P 10	8000042711	BOTTOM CUSHION	1	FOR SPEAKER	
	P 11	8500032741	POLY BAG	2	FOR SPEAKER	

**Parts list (Accessories)**

Block No. M6MM

△	Item	Parts number	Parts name	Q'ty	Description	Area
	A 1	GVT0050-012A	INST.BOOK	1	CHI	UT
		GVT0050-011A	INST.BOOK	1	ENG,CHI	UF
		GVT0050-003A	INST.BOOK	1	ENG,SPA,POR,CHI	UB,US,UJ
	A 2	BT-59011-2	WARRANTY CARD	1		UF
	A 3	BT-59012-1	SERVICE NETWORK	1		UF
	A 4	EWP503-001C	ANT.WIRE	1		
	A 5	QAL0014-001	AM LOOP ANT	1		
△	A 6	QMPP060-183-JD	POWER CORD	1		UB
△		QMPS020-183-JC	POWER CORD	1		UF
△		QMPS040-183-JD	POWER CORD	1		UT
△		QMPL060-183-JD	POWER CORD	1		US,UJ
△	A 7	VMZ0139-001	CONNECT PLUG	1		UT
△	A 8	QAM0112-001	AC PLUG ADAPTER	1		US,UJ
	A 9	GV30024-024A	UB SHEET	1		UB
	A 10	RM-SUXA70MDU	REMOCON	1		
	A 11	-----	BATTERY	2		
	A 12	GV40137-001A	SIDE SPACER	2	ACCESSORIES	
	A 13	UXA70MDK-SPK-SL	SPEAKER BOX(L)	1		
		UXA70MDK-SPK-SR	SPEAKER BOX(R)	1		
	A 14	9910005621	SARAN BOARD	2		